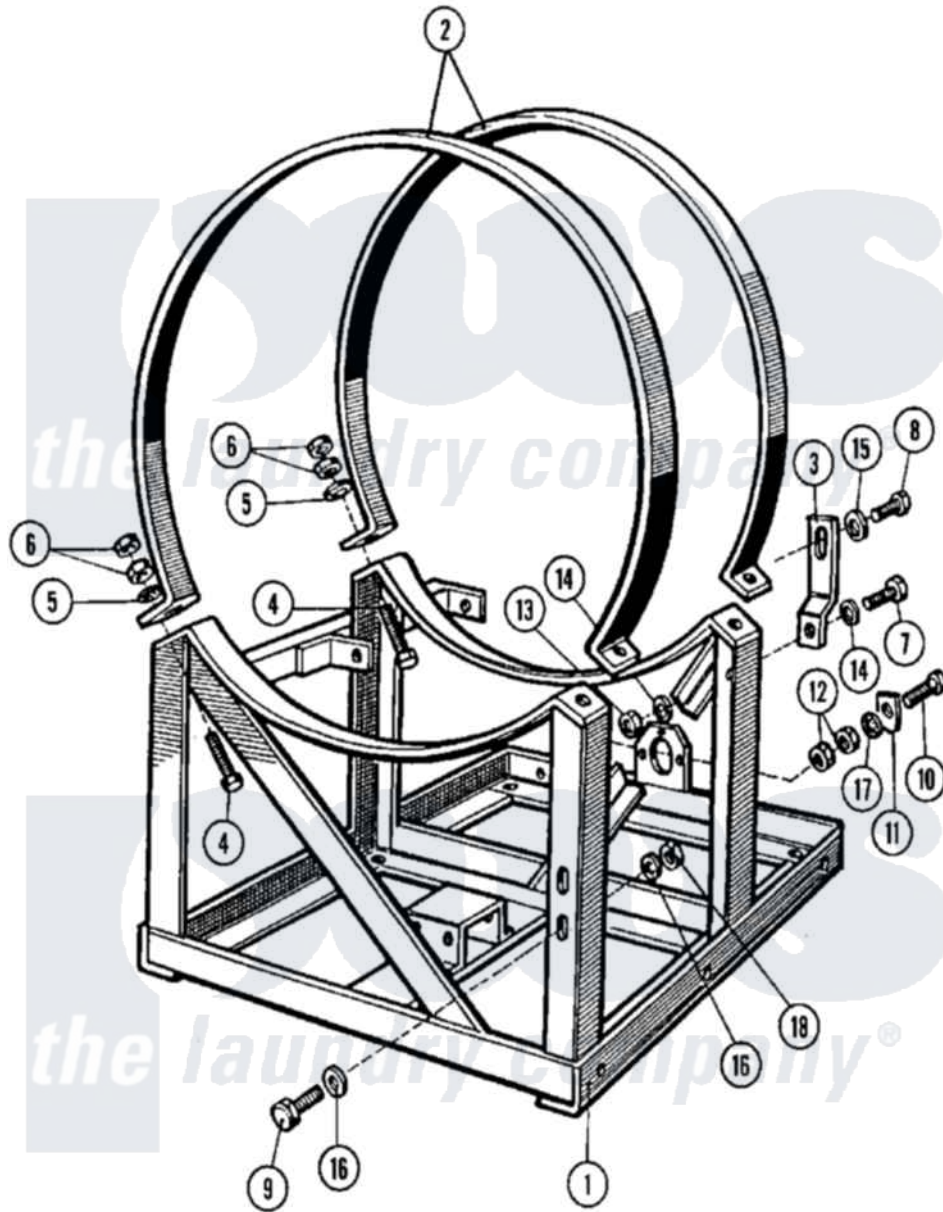


# Maytag MFR25MCATS 11 - BASE FRAME (SERIES 10)



Maytag Commercial Maytag MFR25MCATS Washer Parts Parts Diagram 11 - BASE FRAME (SERIES 10)  
 Click on the part number to view part

Item	Original Part Number	Replaced By	Status	Part Description
001	NLA		Not Available	FRAME
002	NLA		Not Available	CLAMP, TUB
003	NLA		Not Available	BRACE, TUB SUPPORT
004	23001425	<a href="#">23003285</a>		Bolt
005	<a href="#">23001400</a>			Lock Washer, Spring
006	23001240	<a href="#">23001661</a>		Nut M10
007	23001304	<a href="#">23003765</a>		Bolt M8x35
008	<a href="#">23001205</a>			Bolt
009	23001307	<a href="#">23002462</a>		Screw Lu
010	23001311	<a href="#">23002806</a>		Screw
011	<a href="#">23001308</a>			Hardware, Grounding
012	<a href="#">23001312</a>			Mut M6
013	<a href="#">23001266</a>			Nut M8
014	<a href="#">23001265</a>			Washer
015	NLA		Not Available	WASHER (DIA. 30 X 8.5 X 2.5)
016	<a href="#">23001309</a>			Washer Lu

017 23001028

[23002756](#)

Lockwasher

018 [23001310](#)

Nut, Self Locking

019 23001313

[23003767](#)

Washer Brass

