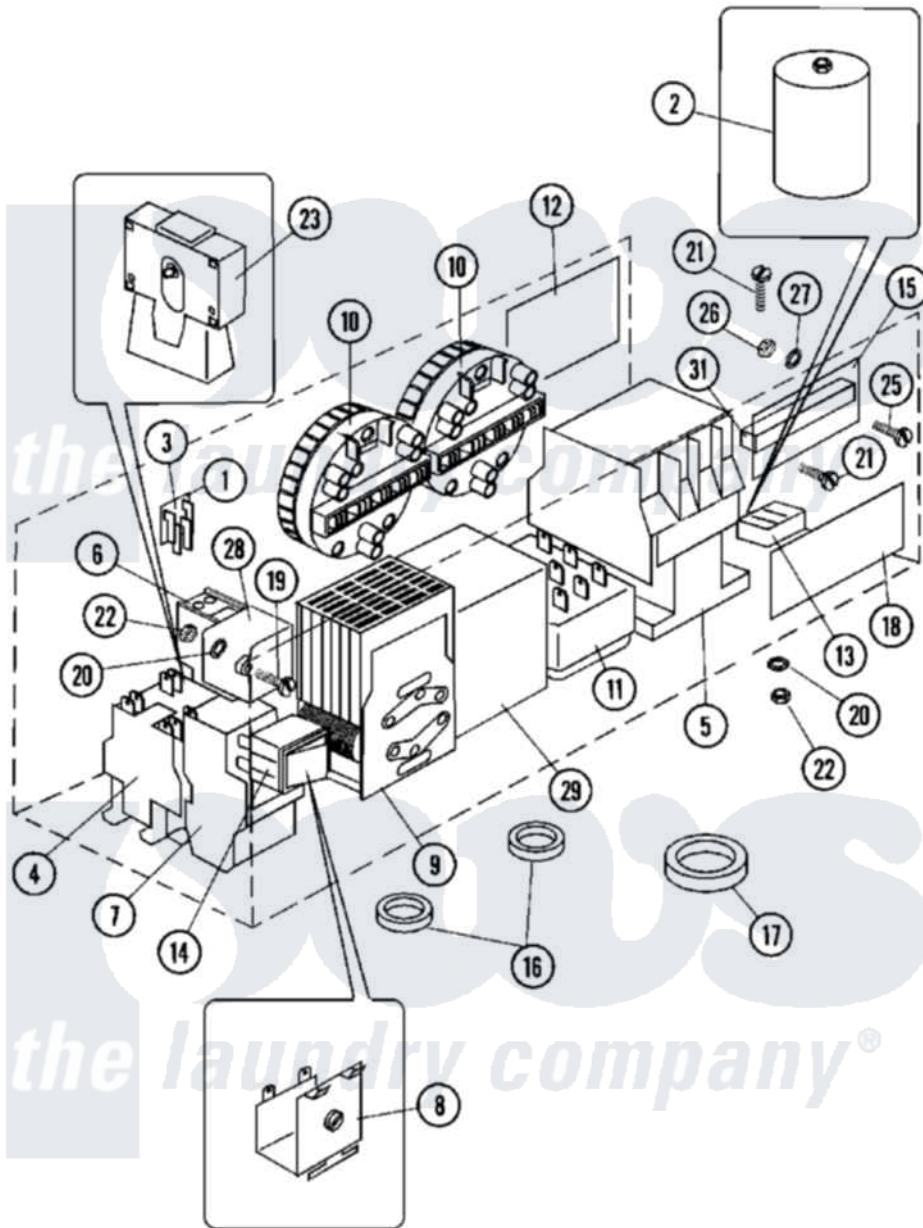


# Maytag MFR25MCATS 17 - MAIN CONTROL (SERIES 11)



Maytag Commercial Maytag MFR25MCATS Washer Parts Parts Diagram 17 - MAIN CONTROL (SERIES 11)  
 Click on the part number to view part

Item	Original Part Number	Replaced By	Status	Part Description
001	<a href="#">23001094</a>			Bridge, Rectifier
002	<a href="#">23001096</a>			Capacitor
"	<a href="#">23001097</a>			Capacitor
"	<a href="#">23001098</a>			Capacitor
"	<a href="#">23001357</a>			Capacitor
"	<a href="#">23001358</a>			Capacitor
003	<a href="#">23001099</a>			Socket, Pc Board Socket
004	23001100	<a href="#">23003750</a>		Frequency Inverter Contactor
"	23001101	<a href="#">23003751</a>		Contactors Lc1 D12
"	<a href="#">23001547</a>			Contactors
"	<a href="#">23003750</a>			Frequency Inverter Contactor
"	<a href="#">23003751</a>			Contactors Lc1 D12
005	<a href="#">23001102</a>			Contactors
"	<a href="#">23001103</a>			Contactors
006	<a href="#">23001104</a>			Auxiliary Contact
007	<a href="#">23001106</a>			Relay, Thermal Overload

"	<a href="#">23001108</a>		Relay, Thermal Overload
"	<a href="#">23001359</a>		Relay, Thermal Overload
"	23002101	<a href="#">23003757</a>	Overload Relay 5.5-8A
"	<a href="#">23003755</a>		Overload Relay LR2D
"	<a href="#">23003756</a>		Overload Relay 4-6a
"	<a href="#">23003757</a>		Overload Relay 5.5-8A
"	<a href="#">23003758</a>		Overload Relay LR2D
009	<a href="#">23001110</a>		Timer, Reversing
010	23001360	<a href="#">23001513</a>	Switch, Water Level
"	<a href="#">23001513</a>		Switch, Water Level
"	<a href="#">23003333</a>		Switch, Water Level
011	<a href="#">23002460</a>		Thermostat
014	<a href="#">23001114</a>		Rocker Switch, Prewash/No Prew
015	<a href="#">23001115</a>		Terminal Block Insulation
017	<a href="#">23001117</a>		Ring, Rubber
018	<a href="#">23001118</a>		Sticker, Liquid Soap
019	23002423	<a href="#">23001361</a>	Bolt
020	23002111	<a href="#">23001013</a>	Lock Washer External Teeth M4
021	23002398	<a href="#">23001089</a>	Screw
022	23002399	<a href="#">23001014</a>	Nut M4
023	23001119	<a href="#">23003762</a>	Mechanical Interlock
"	<a href="#">23003762</a>		Mechanical Interlock
024	23002952	<a href="#">23001069</a>	Screw
025	<a href="#">23002806</a>		Screw
026	23001515	<a href="#">23001312</a>	Mut M6
027	23001734	<a href="#">23002425</a>	Locker Washer M6
028	NLA	Not Available	NET FILTER
029	23002348	<a href="#">23003734</a>	Transformer
030	<a href="#">23002959</a>		Electric Heat Terminal Board
032	<a href="#">23001465</a>		Sticker, Electricity Warning
033	<a href="#">23002955</a>		Buzzer
034	NLA	Not Available	STICKER
035	NLA	Not Available	LABEL, EARTH
036	<a href="#">23001138</a>		Bushing, Cable Passage
037	<a href="#">23002154</a>		Housing, Connector

