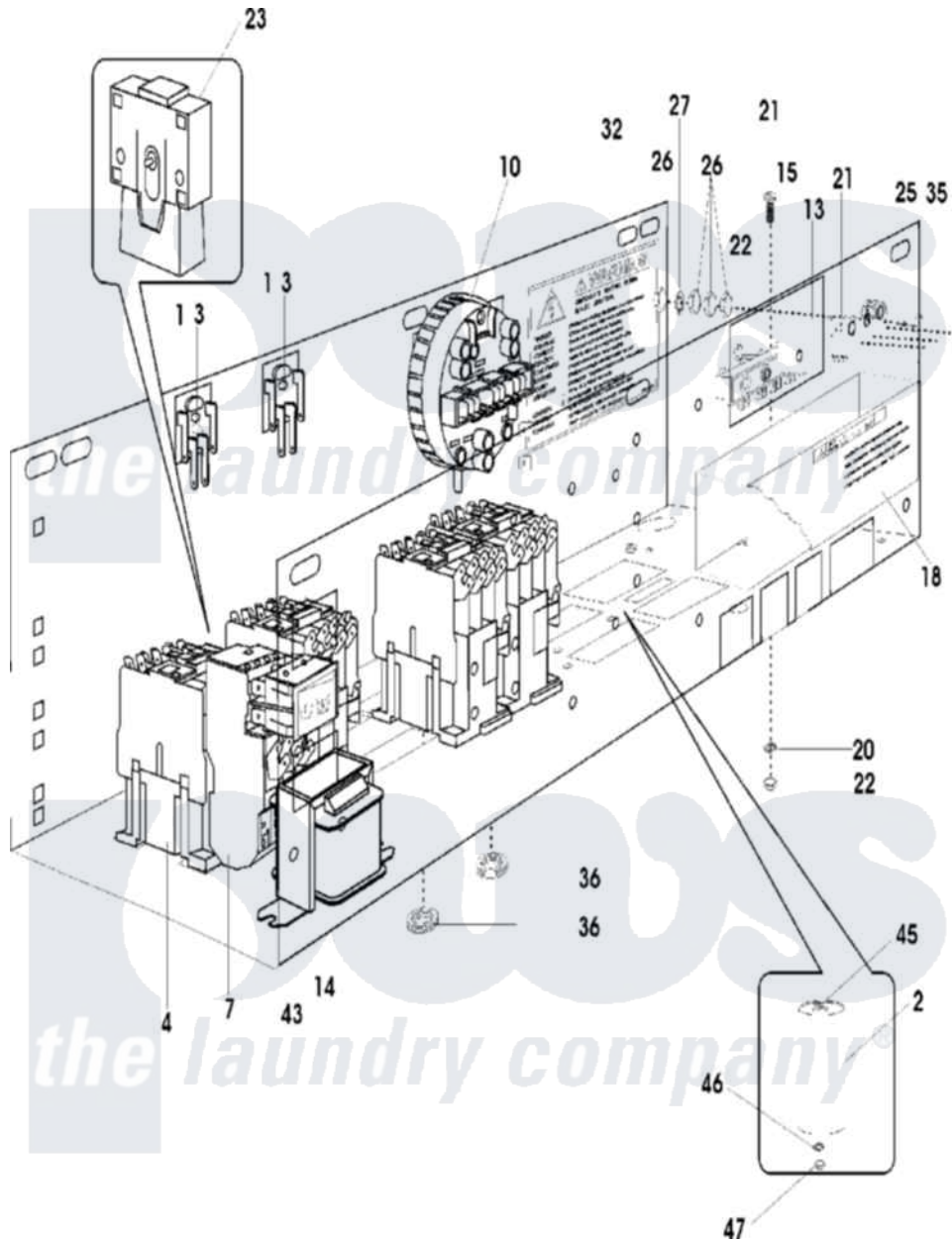


# Maytag MFR25PDAVS 09 - MAIN CONTROL



Maytag Commercial Maytag MFR25PDAVS Washer Parts Parts Diagram 09 - MAIN CONTROL  
 Click on the part number to view part

Item	Original Part Number	Replaced By	Status	Part Description
001	<a href="#">23001094</a>			Bridge, Rectifier
002	<a href="#">23001095</a>			Capacitor
"	<a href="#">23001358</a>			Capacitor
003	<a href="#">23001099</a>			Socket, Pc Board Socket
004	23001100	<a href="#">23003750</a>		Frequency Inverter Contactor
"	23001101	<a href="#">23003751</a>		Contactora Lc1 D12
"	<a href="#">23003750</a>			Frequency Inverter Contactor
"	<a href="#">23003751</a>			Contactora Lc1 D12
007	23002101	<a href="#">23003757</a>		Overload Relay 5.5-8A
"	<a href="#">23003757</a>			Overload Relay 5.5-8A
010	<a href="#">23001513</a>			Switch, Water Level
"	<a href="#">23003748</a>			Switch, Water Level
013	<a href="#">23002154</a>			Housing, Connector
014	<a href="#">23001114</a>			Rocker Switch, Prewash/No Prew
015	<a href="#">23001115</a>			Terminal Block Insulation
018	<a href="#">23001118</a>			Sticker, Liquid Soap

020	23002111	<a href="#">23001013</a>	Lock Washer External Teeth M4
021	23002398	<a href="#">23001089</a>	Screw
022	23003666	<a href="#">23001014</a>	Nut M4
023	<a href="#">23003762</a>		Mechanical Interlock
025	<a href="#">23002806</a>		Screw
026	23002651	<a href="#">23001312</a>	Mut M6
027	<a href="#">23002425</a>		Locker Washer M6
032	<a href="#">23001465</a>		Sticker, Electricity Warning
035	<a href="#">23002505</a>		Plate, Earth
036	<a href="#">23001138</a>		Bushing, Cable Passage
043	<a href="#">23003667</a>		Transformer, Control Board
045	<a href="#">23003668</a>		Resistor
046	<a href="#">23003675</a>		Washer
047	NLA	Not Available	NUT (M12)

