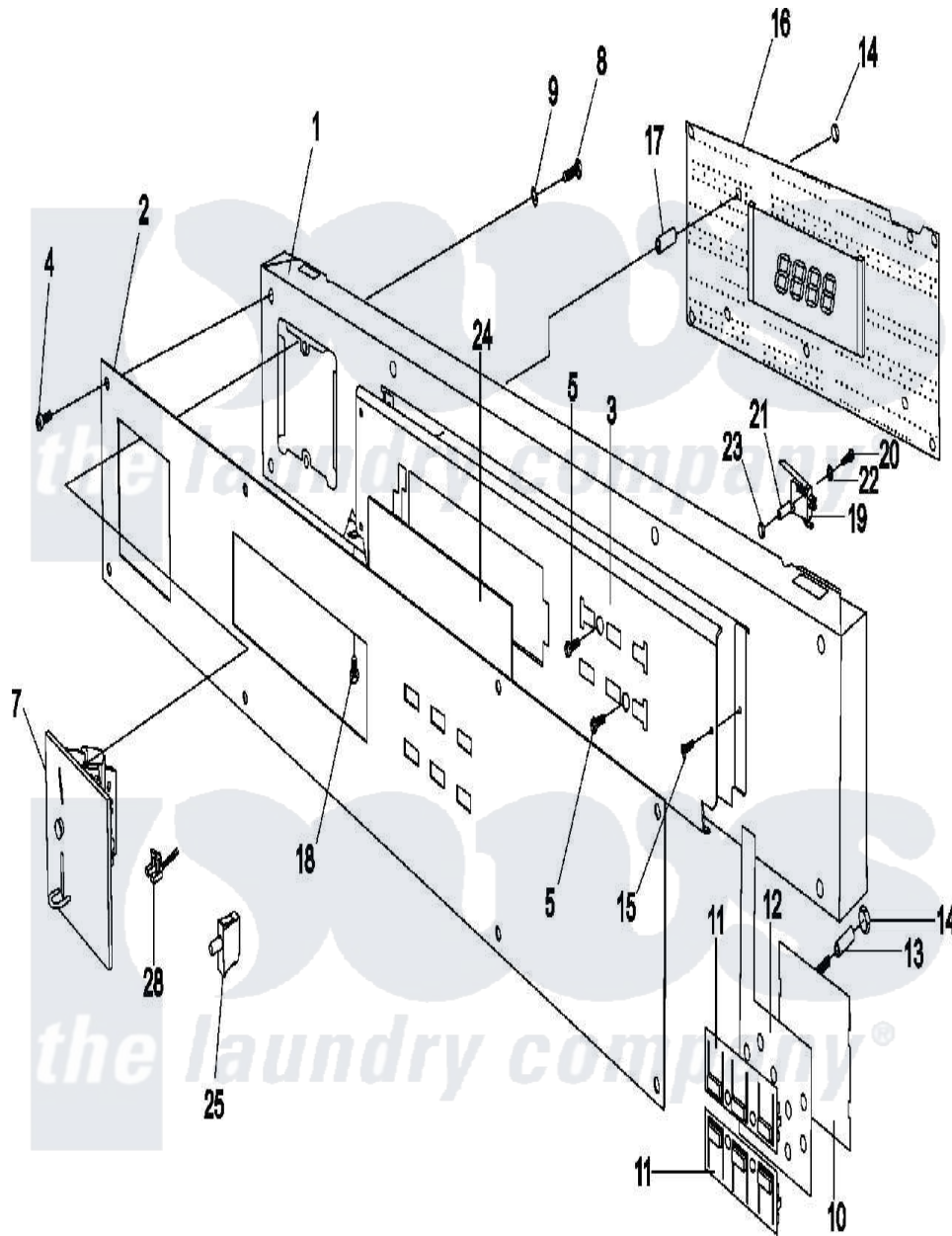


Maytag MFR25PDAVS 13 - CONTROL PANEL



Maytag [Commercial Maytag MFR25PDAVS Washer Parts](#) Parts Diagram 13 - CONTROL PANEL
 Click on the part number to view part

| Item | Original Part Number | Replaced By | Status | Part Description |
|------|--------------------------|---------------------------|--------|-----------------------------|
| 001 | 23003636 | 23003723 | | Control Panel |
| " | 23003723 | | | Control Panel |
| 002 | 23003640 | 23003722 | | Facia, Control Panel Mfr 25 |
| " | 23003722 | | | Facia, Control Panel Mfr 25 |
| 003 | 23003809 | | | Program, Holder |
| 004 | 23003810 | W10131119 | | Screw, 8-18 X 5/16 |
| 005 | 23001372 | | | Screw |
| 007 | 23003644 | | | Coin Drop |
| 008 | 23002465 | 23004485 | | Lock Washer M5 |
| 009 | 23003797 | | | Retaining Bolt |
| 010 | 23003645 | | | Holder |
| 011 | 23003646 | | | Buttons, Row Of 3 |
| 012 | 23003647 | | | Switch, Membrane |
| 013 | 23003648 | | | Tube |
| 014 | 23003649 | M0282005 | | Nut-Keeps |
| 015 | 23003811 | | | Screw |

| | | | |
|-----|--------------------------|---------------------------|--------------------|
| 016 | 23003650 | 23003735 | Control Board |
| 017 | 23003651 | | Tube |
| 019 | 23001145 | | Microswitch, Lever |
| 020 | 23003652 | | Screw, Switch |
| 021 | 23003653 | | Spacer |
| 022 | 23003654 | | Washer M3.2 |
| 023 | 23002958 | | Nut M3 |
| 024 | 23003655 | W10131114 | Cover, Display |
| 025 | 23003656 | | Switch, Coin Box |
| 026 | 23003657 | | Sensor, Optic |

