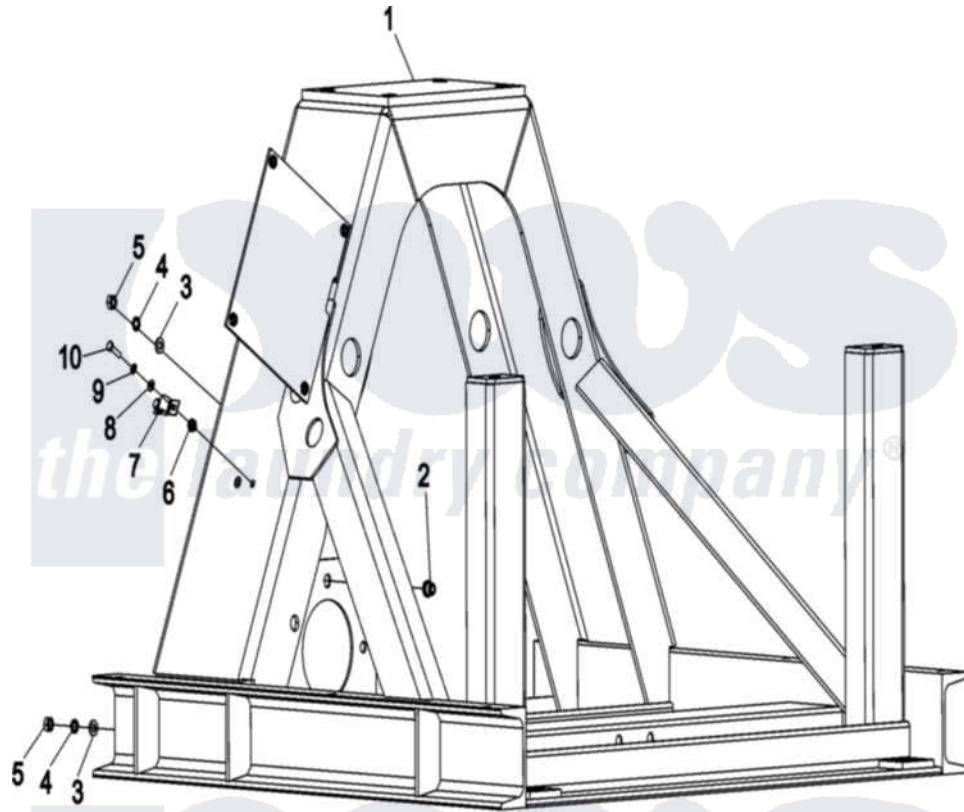


Maytag MFR30PNCTS 01 - BASE FRAME



21-Nov-05
520 780A

Maytag [Commercial Maytag MFR30PNCTS Washer Parts](#) Parts Diagram 01 - BASE FRAME
 Click on the part number to view part

Item	Original Part Number	Replaced By	Status	Part Description
001	23004026			Frame Welded
002	23004092	23001575		Nut, Insert
003	23002424			Washer M6.4
004	23002425			Locker Washer M6
005	23002280			Nut M6
006	23004093			Riveting Blind Nut M4
007	23004094			Holder
008	23002438			Washer M4.3
009	23002426	23002950		Lock Washer M4
010	23004095			Bolt M4x16