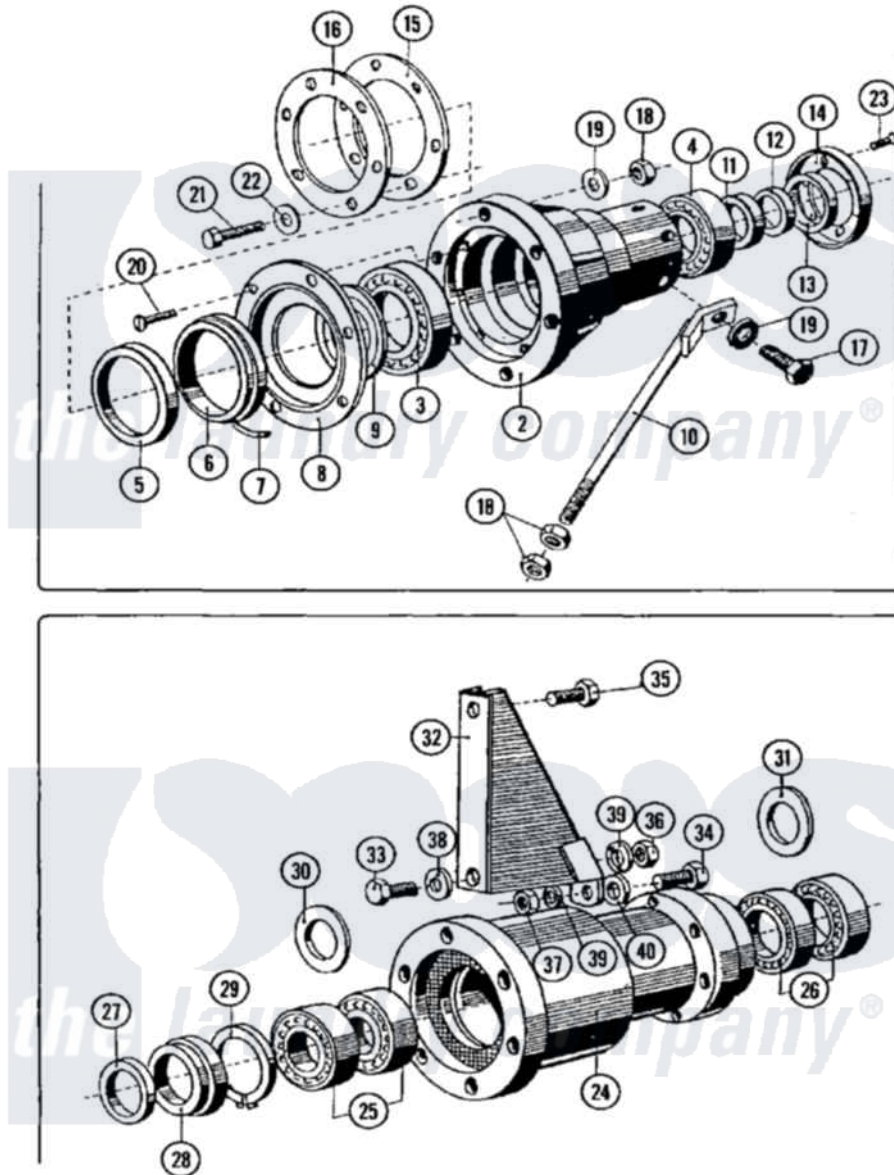


Maytag MFR35MNATS 08 - BEARINGS & TRUNNION ASSEMBLY



Maytag Commercial Maytag MFR35MNATS Washer Parts Parts Diagram 08 - BEARINGS & TRUNNION ASSEMBLY
 Click on the part number to view part

Item	Original Part Number	Replaced By	Status	Part Description
001	23001207	23002972		Trunnion
002	23001209			Trunnion
"	23003981			Bearing Housing Stud 14mm
003	23001210			Bearing, Front
004	23001211			Bearing, Rear
005	23001212			Shaft, Ring
006	23001213			Ring, Axial Joint
007	23001214	23003214		Ring, O
008	23001215			Holder, Water Seal
009	23001216			Bearing, Shield
010	23001217	23002973		Rod, Tension
011	23001218			Ring, Spacer
012	23001219			Bushing, Brass
013	23001220			Seal, Axial
014	23001221			Seal, Axial Holder
015	23001222			Gasket, Rubber

016	23001223		Ring, Clamp
017	23001224		Bolt
018	23001225	23003746	Nut, M14
019	23001226		Lock Washer, Spring
020	23001227		Screw
021	23001157		Bolt
022	23001228		Ring, Seal
023	23001229		Screw
024	23001230	23002938	Trunnion Items 2, 3, 4, And 7
025	23001231		Bearing
026	23001232	24001015	Bearing
027	23001233	12002779	Water Seal
028	23001234	12002779	Water Seal
029	23001235		Ring, Internal Snap
030	23001236		Ring, Spacer
031	23001237		Ring, Spacer
032	23001238	23002939	Spoke
033	23001202	23002940	Screw
034	23001239	23003808	Bolt M 10x40
035	23001205		Bolt
036	23001240	23001661	Nut M10
037	23001241		Locking Nut, Self Lu
038	23001201		Washer
039	23001242	23001400	Lock Washer, Spring
040	23001243		Washer

the laundry company[®]

the laundry company[®]