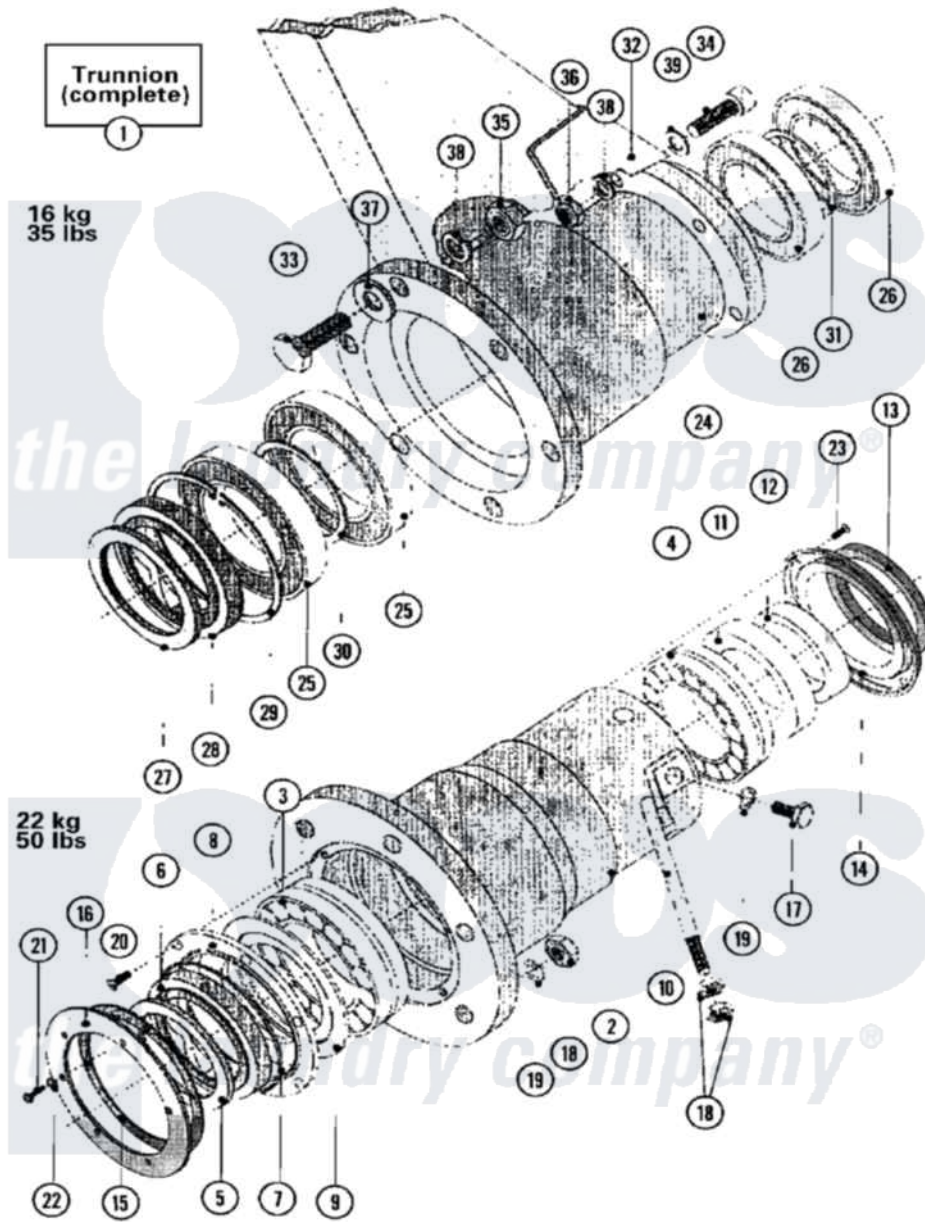


Maytag MFR35MNATS 23 - BEARINGS & TRUNNION (SERIES 11)



Maytag Commercial Maytag MFR35MNATS Washer Parts Parts Diagram 23 - BEARINGS & TRUNNION (SERIES 11)
 Click on the part number to view part

Item	Original Part Number	Replaced By	Status	Part Description
001	23002938			Trunnion Items 2, 3, 4, And 7
"	23002972			Trunnion
002	23001209			Trunnion
"	23003981			Bearing Housing Stud 14mm
003	23001210			Bearing, Front
004	23001211			Bearing, Rear
005	23001212			Shaft, Ring
006	23001213			Ring, Axial Joint
007	23001214	23003214		Ring, O
008	23001215			Holder, Water Seal
009	23001216			Bearing, Sheild
010	23002973			Rod, Tension
011	23002974			Ring, Distance
012	23001219			Bushing, Brass
013	23001220			Seal, Axial
014	23001221			Seal, Axial Holder

015	23001222		Gasket, Rubber
016	23001223		Ring, Clamp
017	23002975	23001224	Bolt
018	23002976	23001014	Nut M4
019	23002792		Washer
020	23001227		Screw
021	23002353	23001157	Bolt
022	23001228		Ring, Seal
023	23002977	23001229	Screw
024	23001230	23002938	Trunnion Items 2, 3, 4, And 7
025	23001231		Bearing
026	23001232	24001015	Bearing
027	23001233	12002779	Water Seal
028	23001234	12002779	Water Seal
029	23001235		Ring, Internal Snap
030	23001236		Ring, Spacer
031	23001237		Ring, Spacer
032	23002939		Spoke
033	23002940		Screw
034	23002941	23003808	Bolt M 10x40
035	23001661		Nut M10
036	23002356	23001241	Locking Nut, Self Lu
037	23001201		Washer
038	23001400		Lock Washer, Spring
039	23002655		Washer

