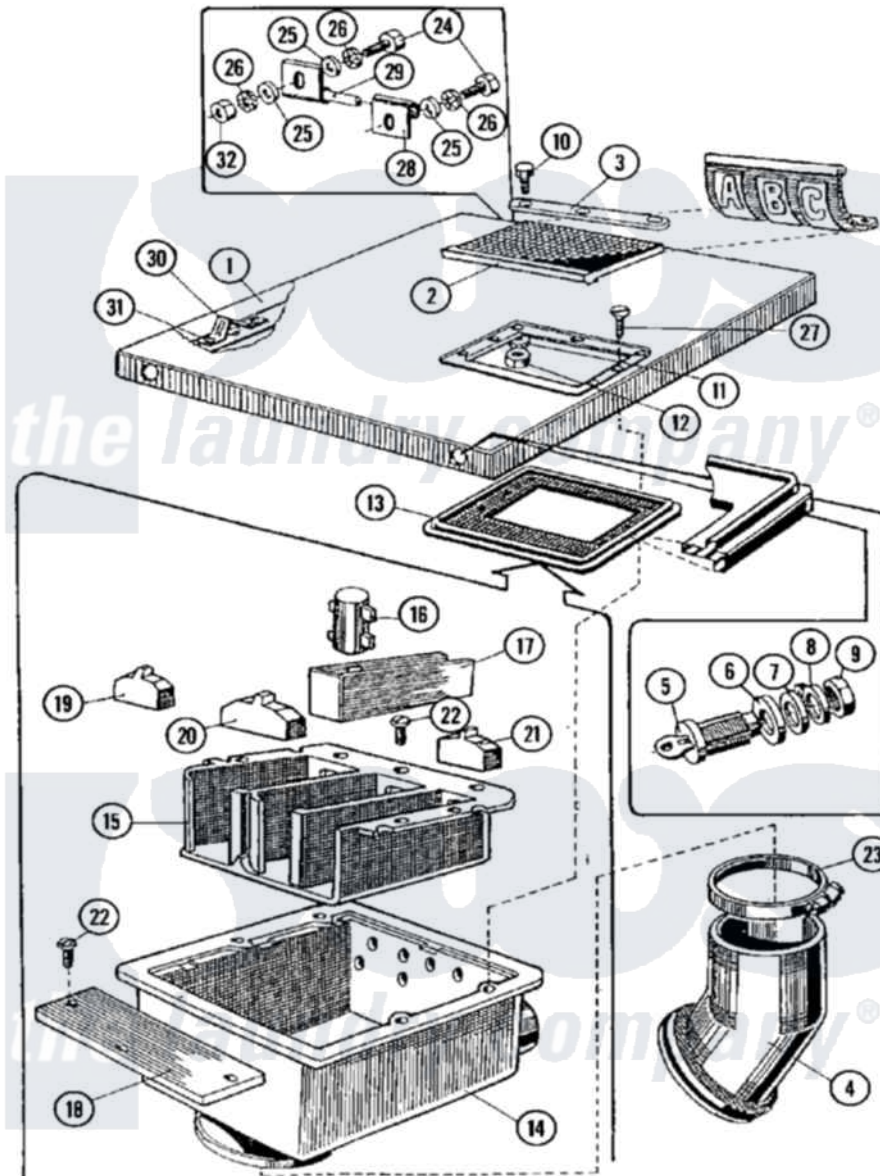


# Maytag MFR35PCATS 18 - SOAP BOX & TOP COVER ASSEMBLY



Maytag [Commercial Maytag MFR35PCATS Washer Parts](#) Parts Diagram 18 - SOAP BOX & TOP COVER ASSEMBLY  
 Click on the part number to view part

Item	Original Part Number	Replaced By	Status	Part Description
001	23002892	<a href="#">23001001</a>		Cover, Top
002	<a href="#">23001003</a>			Rubber Cover, Soap Box
003	<a href="#">23002893</a>			Lath, Rubber Cover Soap Hopper
004	<a href="#">23001005</a>			Rubber Hose, Soap Box
005	<a href="#">23001006</a>			Lock, Top Panel
006	<a href="#">23001007</a>			Washer M21x27x1
007	<a href="#">23001008</a>			Nut, Lock
008	<a href="#">23001009</a>			Hook, Lock
009	<a href="#">23001011</a>			Nut
010	<a href="#">23001012</a>			Screw
011	23001636	<a href="#">23002674</a>		Spring, Lock Washer
012	<a href="#">23002652</a>			Nut
013	<a href="#">23001015</a>			Rubber Seal, Soap Box
014	<a href="#">23001016</a>			External Soap Hopper
015	<a href="#">23001017</a>			Soap Hopper Insert
016	<a href="#">23001018</a>			Syphon Hose

017	<a href="#">23001019</a>		Fabric Softner Insert
018	<a href="#">23001020</a>		Insert Retainer
019	<a href="#">23001021</a>		Prewash Diverter
020	<a href="#">23001022</a>		Mainwash Diverter
021	<a href="#">23001023</a>		Fabric Softner Diverter
022	23001024	<a href="#">23003782</a>	Screw 3 Stainless Steel Lu
023	<a href="#">23001025</a>		Clamp, Hose
024	<a href="#">23002462</a>		Screw Lu
025	<a href="#">23001027</a>		Washer
026	<a href="#">23002756</a>		Lockwasher
027	23002894	<a href="#">23003484</a>	Screw
028	<a href="#">23001030</a>		Hinge, Top Cover
029	<a href="#">23001031</a>		Shaft, Hinge
030	<a href="#">23001032</a>		Spring Clip
031	<a href="#">23001033</a>		Rivets, Blind Lu
032	23002436	Not Available	NUT (M6)

