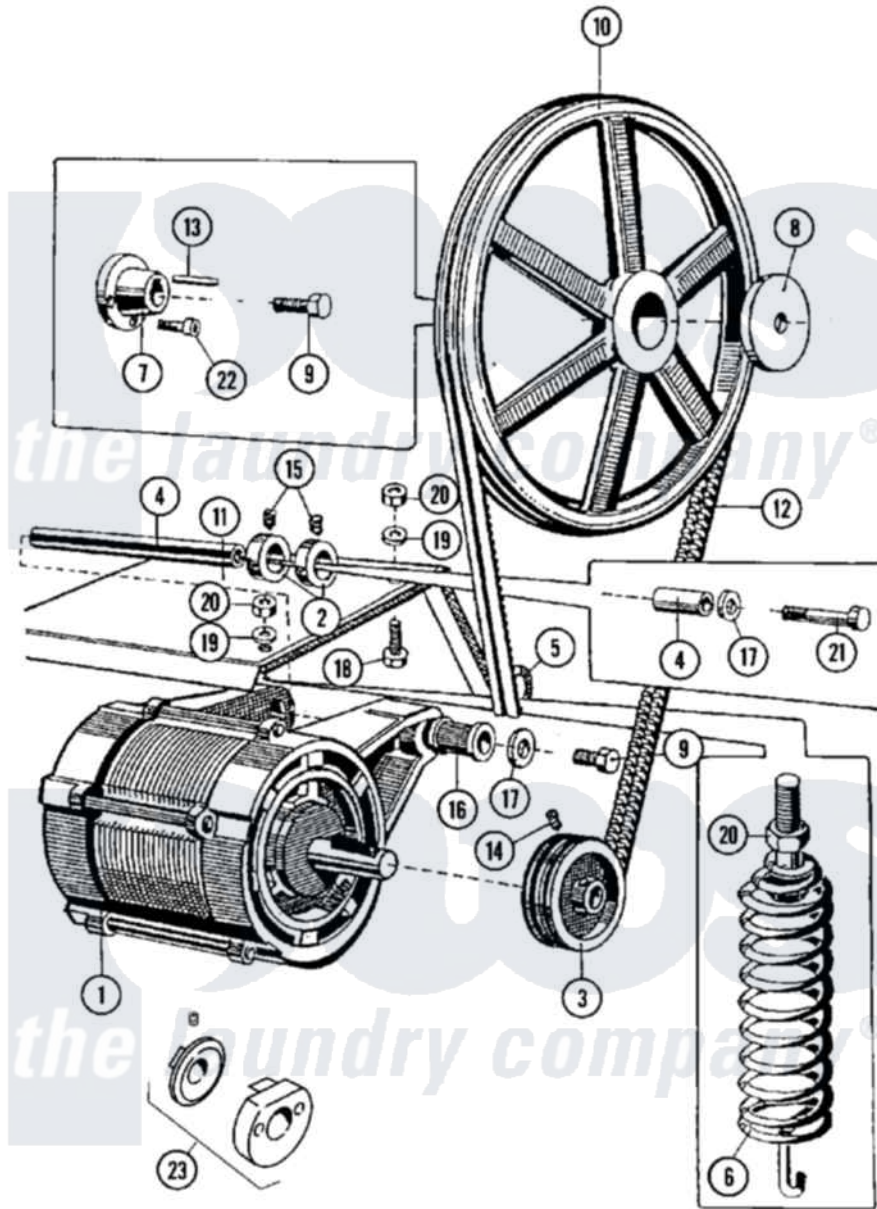


# Maytag MFR35PDATS 10 - MOTOR & BASKET PULLEY



Maytag [Commercial Maytag MFR35PDATS Washer Parts](#) Parts Diagram 10 - MOTOR & BASKET PULLEY  
 Click on the part number to view part

Item	Original Part Number	Replaced By	Status	Part Description
001	<a href="#">23001269</a>			Motor
"	<a href="#">23001270</a>			Motor
002	<a href="#">23002925</a>			Shaft, Sliding Ring Motor
003	<a href="#">23001273</a>			V-Pulley
004	<a href="#">23002926</a>			Rod, Motor Support
"	<a href="#">23002927</a>			Shaft, Extension Motor
005	<a href="#">23001278</a>			Tensioner, Belt
006	<a href="#">23001279</a>			Belt, Tension Spring
007	<a href="#">23001280</a>			Bushing, Tapered
008	<a href="#">23001282</a>			Washer
009	<a href="#">23001283</a>			Bolt
010	<a href="#">23001284</a>			Pulley, Basket
011	<a href="#">23002928</a>			Motor, Protection Shield
012	<a href="#">23001287</a>			V-Belt
013	<a href="#">23001288</a>			Key, Basket Pulley
014	<a href="#">23001289</a>			Screw, Allen Set

015	<a href="#">23001290</a>	Screw, Allen Set
016	<a href="#">23001291</a>	Bushing, Rubber Motor Mount
017	<a href="#">23001292</a>	Washer
018	<a href="#">23001264</a>	Bolt M8x20
019	<a href="#">23001265</a>	Washer
020	<a href="#">23001266</a>	Nut M8
021	<a href="#">23001294</a>	Bolt
022	<a href="#">23002336</a>	Bolt, Socket Head
023	<a href="#">23002317</a>	Switch, Centrifugal

