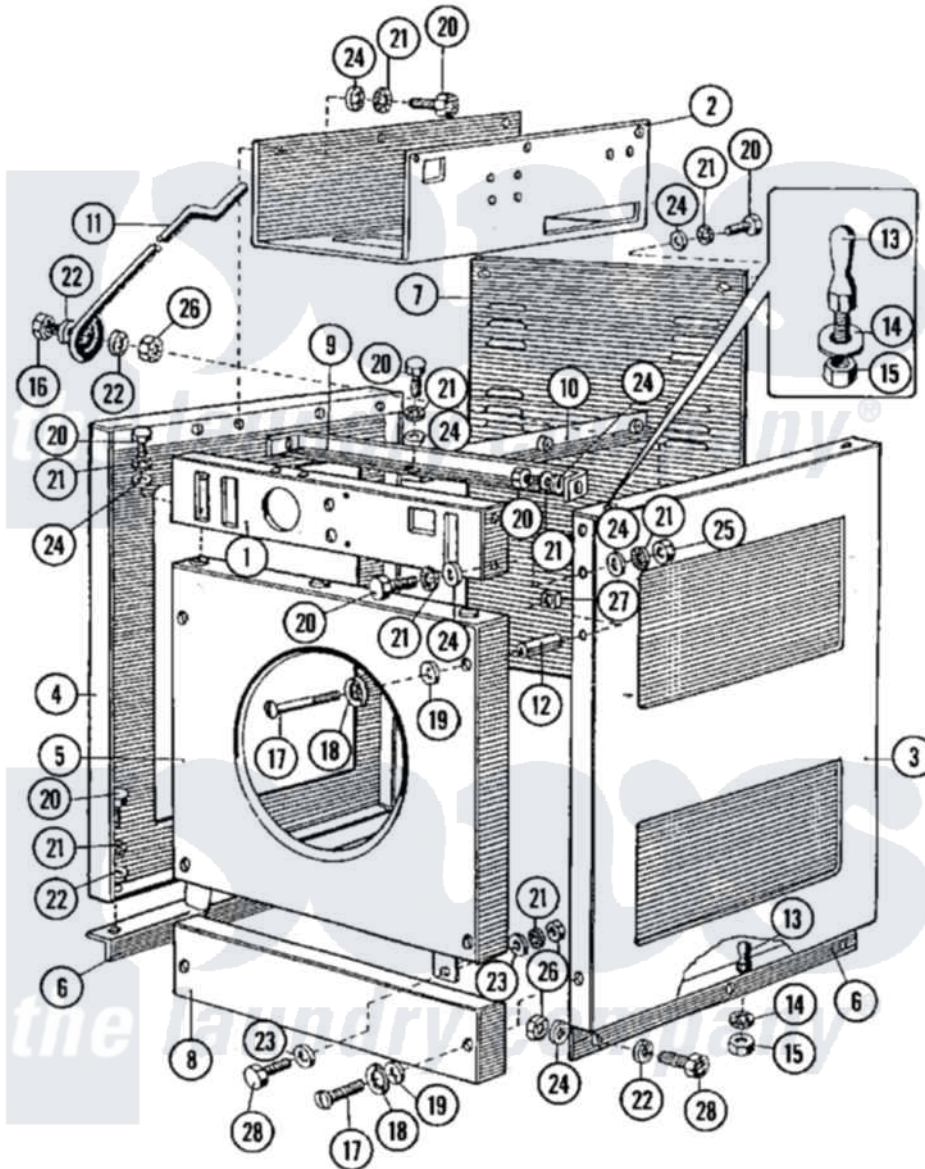


# Maytag MFR50MCATS 13 - CABINET



Maytag [Commercial Maytag MFR50MCATS Washer Parts](#) Parts Diagram 13 - CABINET  
 Click on the part number to view part

Item	Original Part Number	Replaced By	Status	Part Description
001	<a href="#">23001039</a>			Plate, Back-Up
"	NLA		Not Available	PLATE, BACK-UP (OPL)
002	<a href="#">23001314</a>			Tray, Elec. Components
003	23001317	<a href="#">23002962</a>		Panel, Side
004	23001319	<a href="#">23002963</a>		Panel, Side
005	<a href="#">23001320</a>			Panel, Front
006	23001323	<a href="#">23002964</a>		Support, Panel
"	<a href="#">23001324</a>			(RT)
007	<a href="#">23001325</a>			Panel
008	<a href="#">23001326</a>			Panel, Access
009	<a href="#">23001327</a>			Beam, Cross
010	<a href="#">23001329</a>			Holder, Box
011	<a href="#">23001330</a>			Rod, Top Panel Support
012	23001331	<a href="#">23002860</a>		Tube, Distance
013	<a href="#">23001332</a>			Alignment Pin
014	23001333	<a href="#">23004485</a>		Lock Washer M5

015	23001334	<a href="#">8184504</a>	Nut
016	23001335	<a href="#">23002861</a>	Screw Lu
017	23001336	<a href="#">23003478</a>	Screw
018	23001337	<a href="#">23002457</a>	Washer M6
019	23001338	<a href="#">23002458</a>	Washer
020	<a href="#">23001026</a>		Bolt
021	23001028	<a href="#">23002756</a>	Lockwasher
022	<a href="#">23001309</a>		Washer Lu
023	<a href="#">23001309</a>		Washer Lu
024	<a href="#">23001027</a>		Washer
025	23001034	Not Available	NUT (M6)
026	<a href="#">23001310</a>		Nut, Self Locking
027	23001339	<a href="#">23002455</a>	Nut, Rapid
028	23001335	<a href="#">23002861</a>	Screw Lu
029	<a href="#">23001548</a>		Holder, Capacitors

