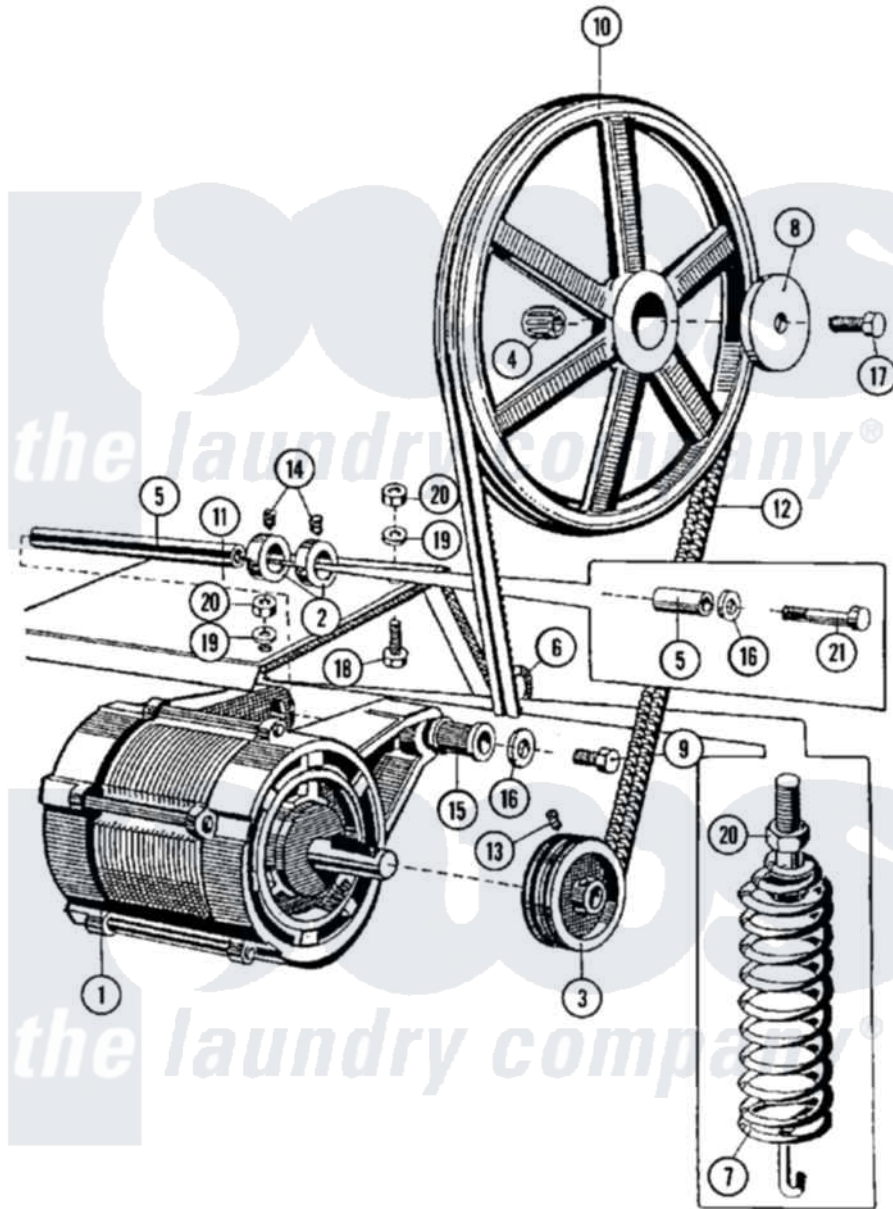


# Maytag MFR50PCATS 10 - MOTOR & BASKET PULLEY



Maytag [Commercial Maytag MFR50PCATS Washer Parts](#) Parts Diagram 10 - MOTOR & BASKET PULLEY  
 Click on the part number to view part

Item	Original Part Number	Replaced By	Status	Part Description
001	<a href="#">23001269</a>			Motor
"	<a href="#">23001271</a>			Motor
"	<a href="#">23002317</a>			Switch, Centrifugal
002	<a href="#">23001272</a>			Collar, Retainer
003	<a href="#">23001273</a>			V-Pulley
004	<a href="#">23001274</a>			Ring, Tolerance
005	<a href="#">23001275</a>			Rod, Motor Support
006	<a href="#">23001278</a>			Tensioner, Belt
007	<a href="#">23001279</a>			Belt, Tension Spring
008	<a href="#">23001281</a>			Washer
009	<a href="#">23001283</a>			Bolt
010	<a href="#">23001285</a>			Pulley, Basket
011	<a href="#">23001286</a>			Shield, Motor
012	<a href="#">23001287</a>			V-Belt
013	<a href="#">23001289</a>			Screw, Allen Set
014	<a href="#">23001290</a>			Screw, Allen Set

015	<a href="#">23001291</a>	Bushing, Rubber Motor Mount	
016	<a href="#">23001292</a>	Washer	
017	23001293	<a href="#">23002931</a>	Screw
018	<a href="#">23001264</a>	Bolt M8x20	
019	<a href="#">23001265</a>	Washer	
020	<a href="#">23001266</a>	Nut M8	
021	<a href="#">23001294</a>	Bolt	

