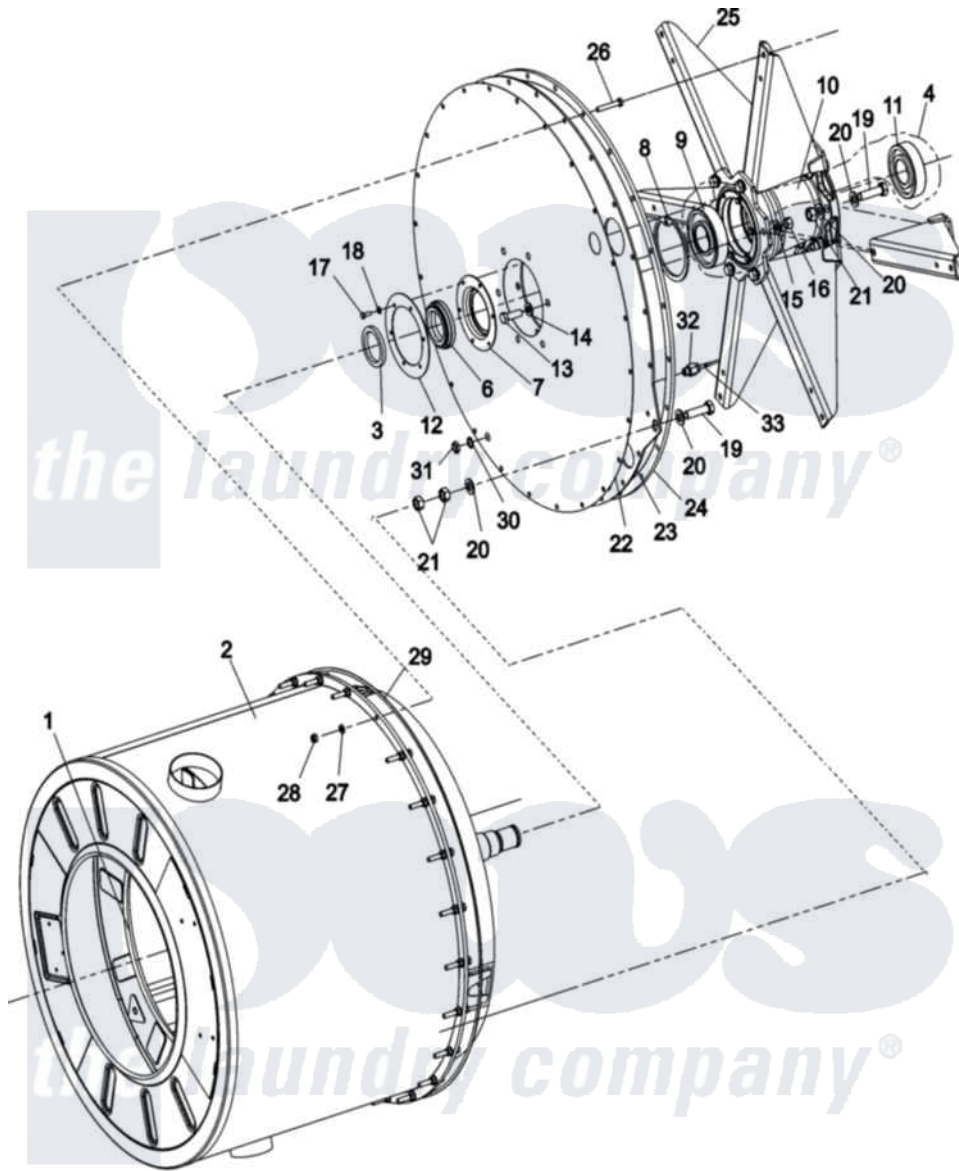


Maytag MFR50PDCTS 09 - BASKET & OUTER SHELL ASSEMBLY



21-Feb-05
519 354

Maytag [Commercial Maytag MFR50PDCTS Washer Parts](#) Parts Diagram 09 - BASKET & OUTER SHELL ASSEMBLY
Click on the part number to view part

| Item | Original Part Number | Replaced By | Status | Part Description |
|------|--------------------------|--------------------------|--------|--------------------|
| 001 | 23004218 | | | Inner Tub Mfr50 |
| 002 | 23004219 | | | Outer Tub Mfr50 |
| 003 | 23003608 | | | Ring, Counter |
| 004 | 23004046 | | | Hub Complete |
| 006 | 23003616 | | | Seal, Axial |
| 007 | 23004045 | | | Axial Sealing Bowl |
| 008 | 23004047 | | | Retaining Ring |
| 009 | 23003614 | | | Bearing |
| 010 | 23004048 | | | Hub |
| 011 | 23003615 | | | Front Bearing |
| 012 | 23004049 | | | Sealing Ring |
| 013 | 23002661 | 23001283 | | Bolt |
| 014 | 23004193 | | | Washer 13 |
| 015 | 23002657 | 23001292 | | Washer |
| 016 | 23003676 | | | Nut M12 |
| 017 | 23004114 | | | Bolt M6 X 16 |

| | | | |
|-----|--------------------------|--------------------------|--|
| 018 | 23002281 | | Washer M6.4x12x1.6 |
| 019 | 23002931 | | Screw |
| 020 | 23004194 | | Washer15 |
| 021 | 23003746 | | Nut, M14 |
| 022 | 23004195 | | Foil |
| 023 | 23004196 | | Reinforcement Plate |
| 024 | 23001197 | | Ring, Clamp |
| 025 | 23004197 | | Spoke |
| 026 | 23004198 | | Bolt M8x50 |
| 027 | 23003769 | 23001203 | Washer |
| 028 | 23001607 | 23001266 | Nut M8 |
| 029 | 23004199 | | Spacer Ring |
| 030 | 23002179 | | Washer Nut M14 |
| 031 | 23002936 | | Temperature, Sensor Holder, Nut M14 |
| 032 | 23004200 | 23003807 | Temperature, Sensor Holder |
| 033 | 23003964 | | Sensor, Temperature |

