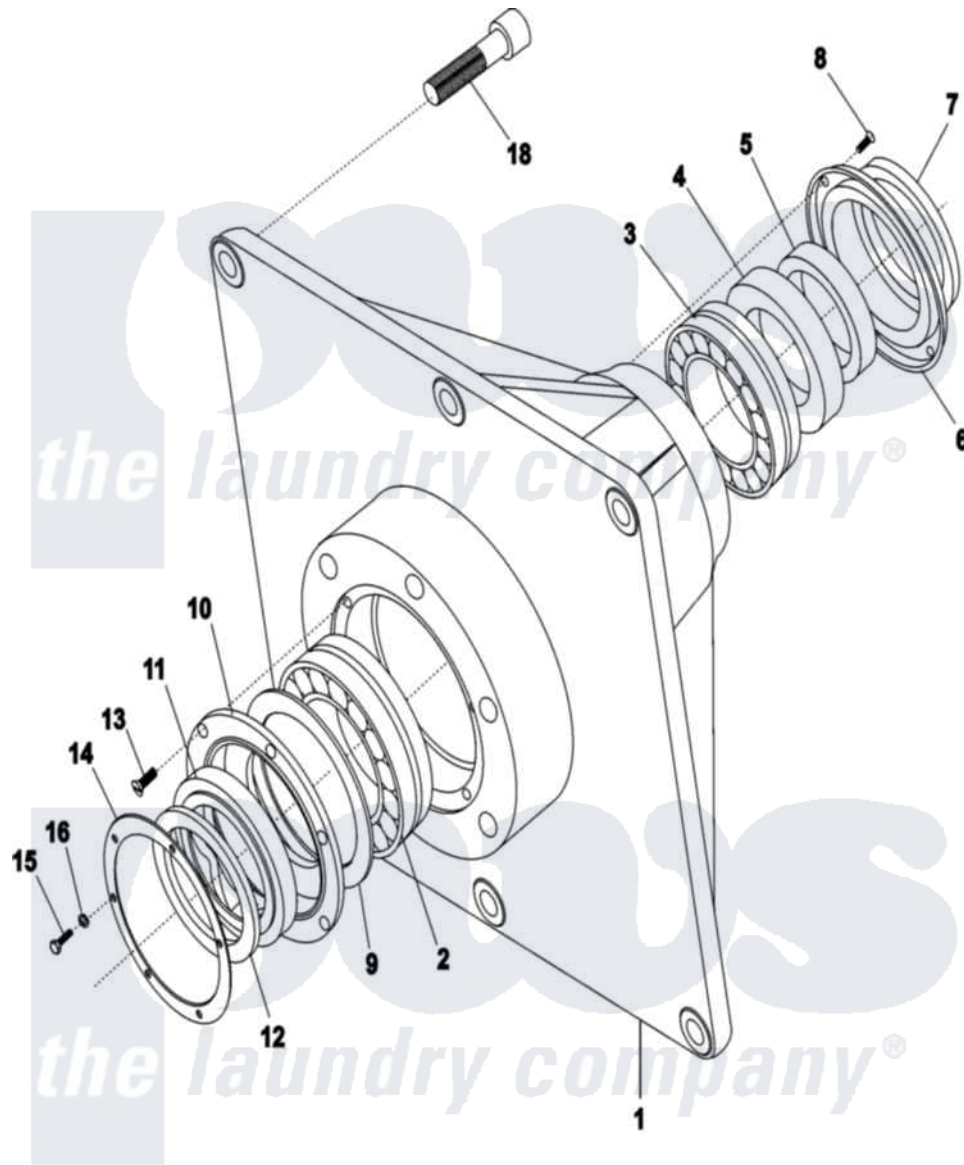


# Maytag MFR80PNCTS 11 - TRUNNION



27-Apr-05  
504 659A

Maytag Commercial Maytag MFR80PNCTS Washer Parts Parts Diagram 11 - TRUNNION  
[Click on the part number to view part](#)

Item	Original Part Number	Replaced By	Status	Part Description
001	<a href="#">23003425</a>			Trunion
002	<a href="#">23001210</a>			Bearing, Front
003	<a href="#">23001211</a>			Bearing, Rear
004	<a href="#">23002974</a>			Ring, Distance
005	<a href="#">23004290</a>			Ring, Bushing Brags
006	<a href="#">23001221</a>			Seal, Axial Holder
007	<a href="#">23001220</a>			Seal, Axial
008	<a href="#">23002649</a>			Screw
009	<a href="#">23001216</a>			Bearing, Sheild
010	<a href="#">23003426</a>			Holder Axial Seal
011	<a href="#">23001213</a>			Ring, Axial Joint
012	<a href="#">23001212</a>			Shaft, Ring
013	<a href="#">23001372</a>			Screw
014	<a href="#">23003427</a>			Fixating Ring St. Steel
015	<a href="#">23003354</a>			Bolt
016	<a href="#">23001201</a>			Washer

