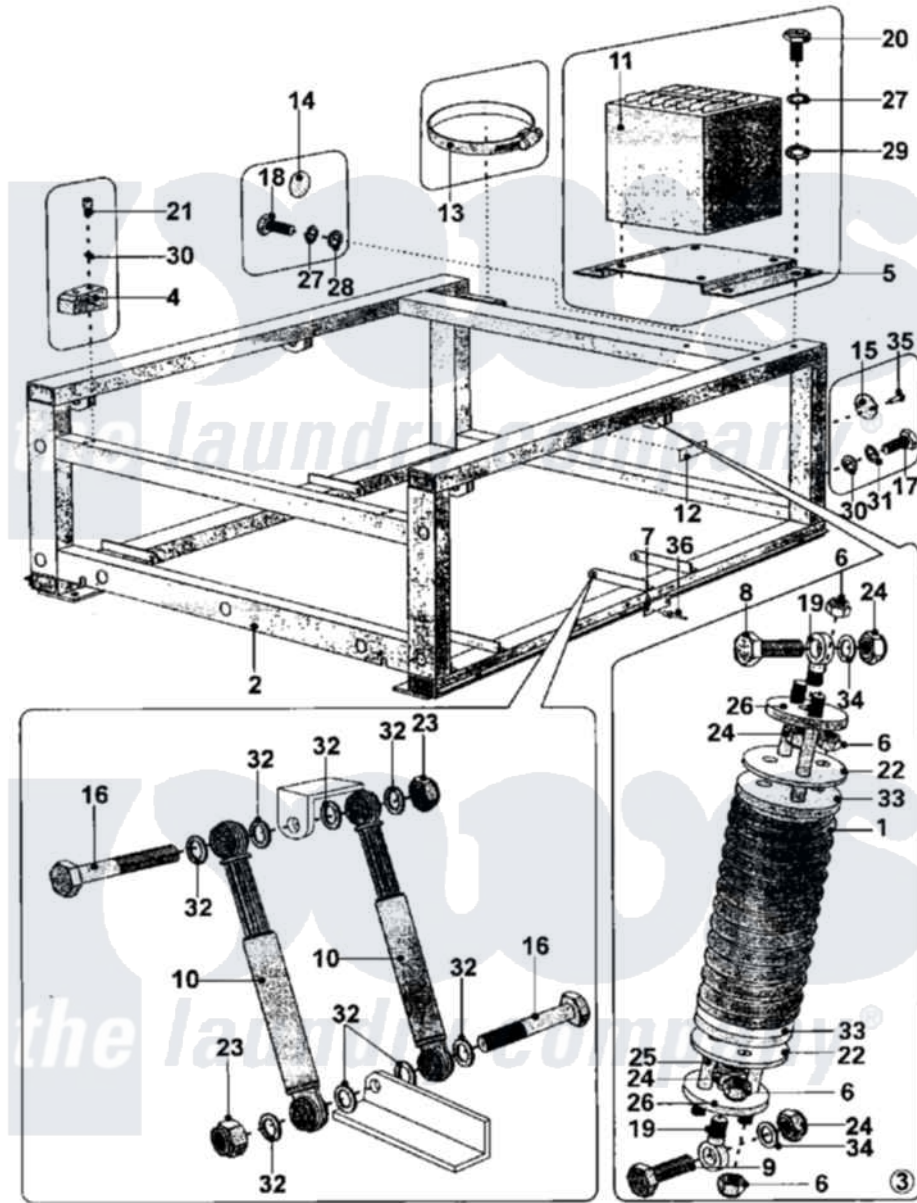


# Maytag MFS100PAVS 01 - FRAME



Maytag Commercial Maytag MFS100PAVS Washer Parts Parts Diagram 01 - FRAME  
 Click on the part number to view part

Item	Original Part Number	Replaced By	Status	Part Description
001	<a href="#">23002367</a>			Spring
002	<a href="#">23002339</a>			Frame
003	<a href="#">23002341</a>			Spring Hinge Assembly
004	<a href="#">23002342</a>			Block
005	<a href="#">23002343</a>			Holder, Transformer
006	<a href="#">23002356</a>	<a href="#">23001241</a>		Locking Nut, Self Lu
007	NLA		Not Available	PLATE, SMALL
008	NLA		Not Available	SCREW (1)
009	NLA		Not Available	SCREW (2)
010	<a href="#">23002347</a>			Damper
011	23002142	<a href="#">23003708</a>		Transformer Control Brd
"	23002348	<a href="#">23003734</a>		Transformer
"	<a href="#">23002349</a>			Transformer
012	<a href="#">23001567</a>			Sheet, Anti-Vibration
013	<a href="#">23001750</a>			Ring, Clamp
014	NLA		Not Available	LABEL, EARTH

015	NLA	Not Available	PLATE, INDEX
016	<a href="#">23002351</a>		Screw
017	NLA	Not Available	SCREW (M8X15)
018	23002353	<a href="#">23001157</a>	Bolt
019	<a href="#">23002368</a>		SCREW, EYE
020	23002354	<a href="#">23002461</a>	Screw
021	NLA	Not Available	SCREW (M8X30)
022	<a href="#">23002366</a>		Packing Piece
023	<a href="#">23002356</a>	<a href="#">23001241</a>	Locking Nut, Self Lu
024	<a href="#">23001651</a>		LOCKING NUT M16
025	NLA	Not Available	DRAWING ROD
026	<a href="#">23002364</a>		Disk
027	23002357	<a href="#">23002440</a>	Washer, Spring Lock
028	23001643	<a href="#">23002424</a>	Washer M6.4
029	23002282	<a href="#">23001027</a>	Washer
030	<a href="#">23002358</a>		LOCK WASHER M8
031	<a href="#">23002359</a>		Washer
032	<a href="#">23002655</a>		Washer
033	<a href="#">23002363</a>		Sleeve
034	<a href="#">23001735</a>		Washer M17
035	<a href="#">23001777</a>		Screw, Drive
036	<a href="#">23002362</a>		Rivet W/Crank
037	<a href="#">23002363</a>		Sleeve

