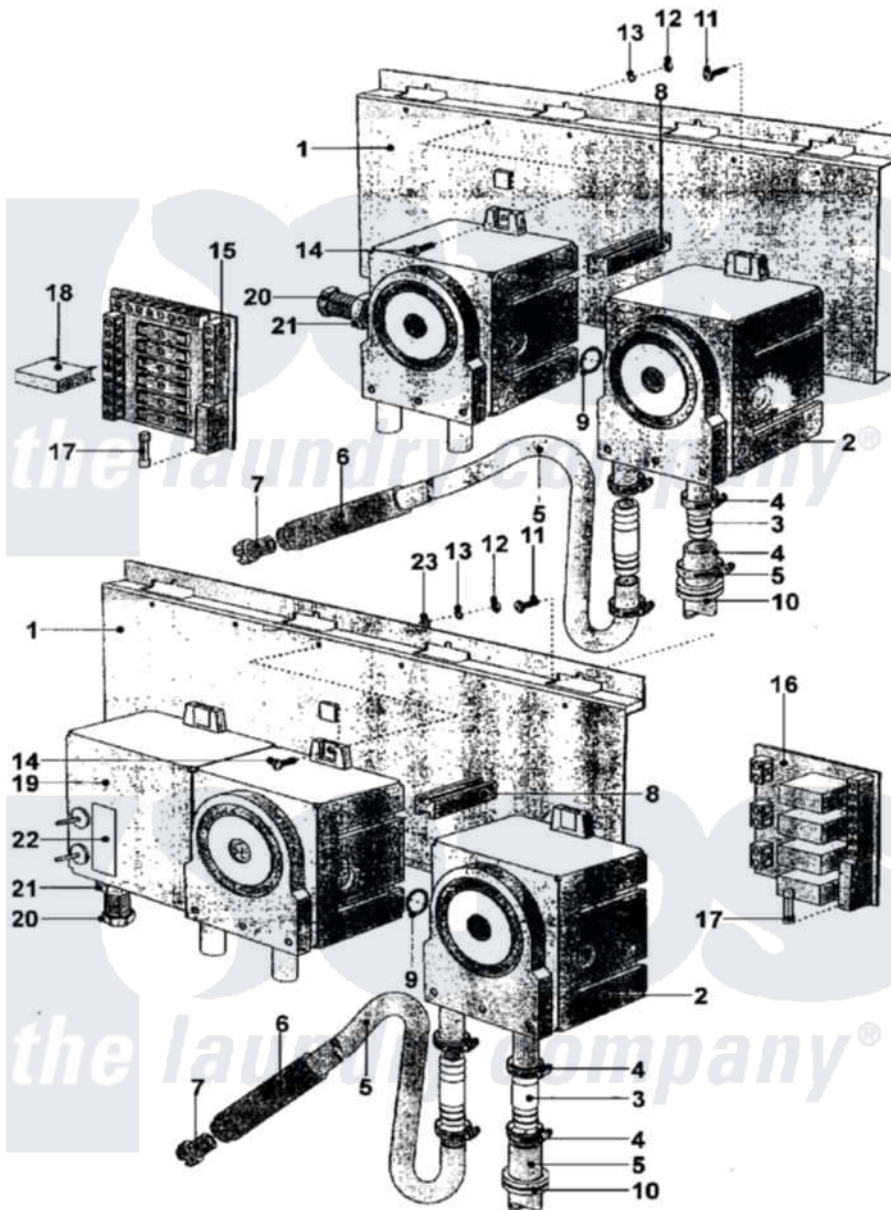


# Maytag MFS125PAVS 19 - PUMP BOARD



Maytag [Commercial Maytag MFS125PAVS Washer Parts](#) Parts Diagram 19 - PUMP BOARD  
 Click on the part number to view part

Item	Original Part Number	Replaced By	Status	Part Description
001	<a href="#">23002827</a>			Bracket, Pump
002	<a href="#">23001730</a>			Pump, Soap
003	<a href="#">23002828</a>			Connector
004	NLA		Not Available	CLAMP (10-16/7.5)
005	<a href="#">23002193</a>			Small Chemical Hose D10/14
006	<a href="#">23002830</a>			Tube
007	<a href="#">23002831</a>			Adapter
008	NLA		Not Available	WEDGE
009	NLA		Not Available	O-RING
010	NLA		Not Available	PASSAGE, CABLE (13 X 2)
011	NLA		Not Available	SCREW (M6X10)
012	23002466	<a href="#">8184504</a>		Nut
013	<a href="#">23002836</a>			Washer
014	NLA		Not Available	SCREW (M5X12)
015	<a href="#">23002320</a>			Board, Auxillary Relay
017	<a href="#">23002838</a>			Fuse

018 [23002839](#)  
020 [23002196](#)  
021 [23002197](#)

Relay  
Protector, Cable  
Med. Strain Relief Nut

