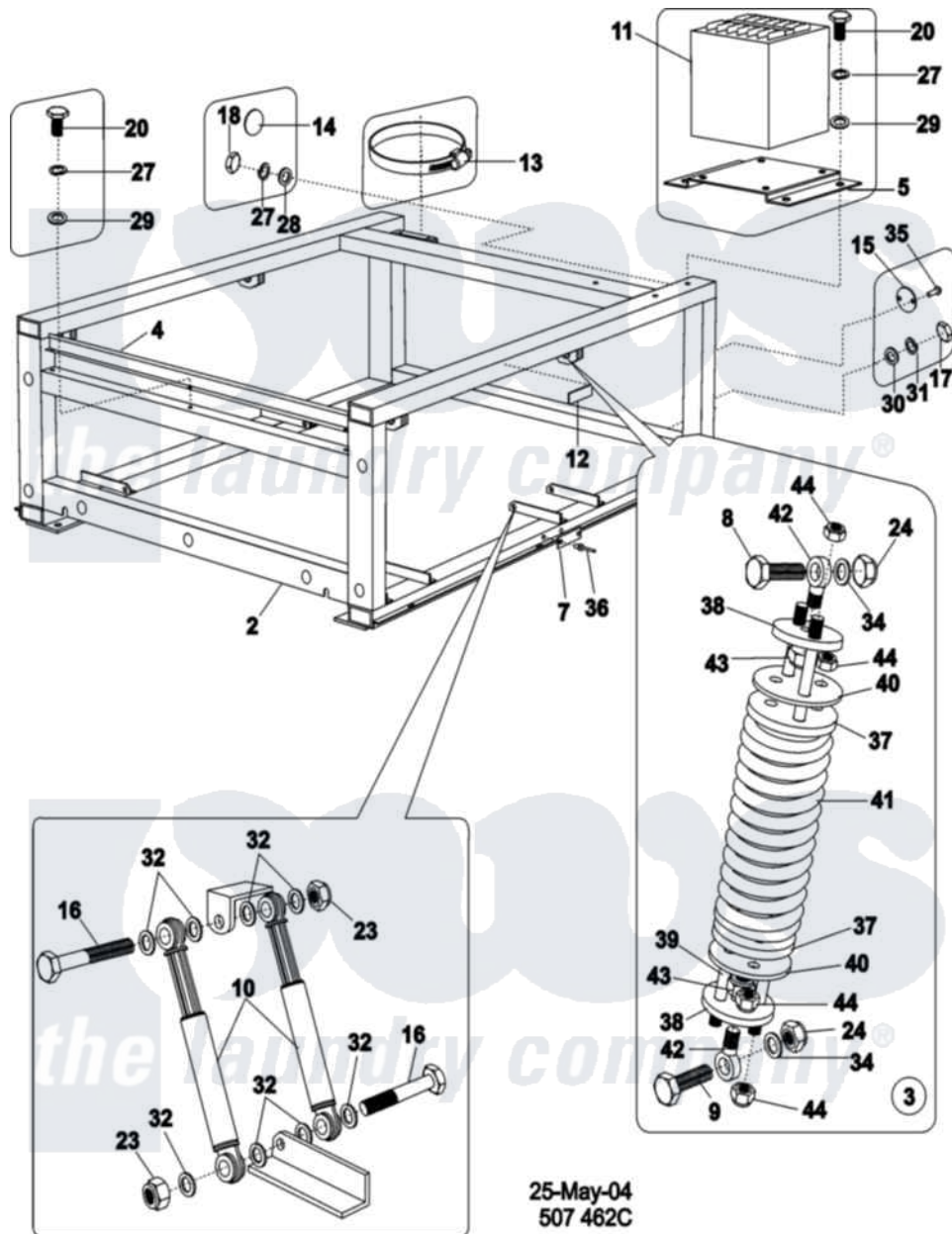


# Maytag MFS125PFVS 01 - FRAME



Maytag [Commercial Maytag MFS125PFVS Washer Parts](#) Parts Diagram 01 - FRAME  
 Click on the part number to view part

Item	Original Part Number	Replaced By	Status	Part Description
002	<a href="#">23002339</a>			Frame
"	NLA		Not Available	FRAME
003	<a href="#">23002341</a>			Spring Hinge Assembly
004	<a href="#">23003914</a>			Frame
005	<a href="#">23002343</a>			Holder, Transformer
007	NLA		Not Available	PLATE, SMALL
008	NLA		Not Available	SCREW
009	NLA		Not Available	SCREW
010	<a href="#">23002347</a>			Damper
011	<a href="#">23003708</a>			Transformer Control Brd
012	<a href="#">23001567</a>			Sheet, Anti-Vibration
013	<a href="#">23001750</a>			Ring, Clamp
014	<a href="#">23002505</a>			Plate, Earth
015	NLA		Not Available	PLATE, INDEX
016	<a href="#">23002351</a>			Screw
017	<a href="#">23002487</a>	<a href="#">23001266</a>		Nut M8

018	<a href="#">23002280</a>		Nut M6
020	<a href="#">23002461</a>		Screw
023	<a href="#">23002356</a>	<a href="#">23001241</a>	Locking Nut, Self Lu
024	<a href="#">23001651</a>		LOCKING NUT M16
027	<a href="#">23002425</a>		Locker Washer M6
028	<a href="#">23002424</a>		Washer M6.4
029	23003778	<a href="#">23002756</a>	Lockwasher
030	<a href="#">23002427</a>		Washer, Lock
031	<a href="#">23001608</a>		Washer Lu
032	<a href="#">23003788</a>		Washer M10.5
034	<a href="#">23001735</a>		Washer M17
035	<a href="#">23003915</a>		Nail 2 x 4
036	<a href="#">23002362</a>		Rivet W/Crank
037	<a href="#">23002363</a>		Sleeve
038	<a href="#">23002364</a>		Disk
039	NLA	Not Available	BAR, DRAWING
040	<a href="#">23002366</a>		Packing Piece
041	<a href="#">23003917</a>		Spring
042	<a href="#">23002368</a>		SCREW, EYE
043	<a href="#">23001651</a>		LOCKING NUT M16
044	<a href="#">23002356</a>	<a href="#">23001241</a>	Locking Nut, Self Lu

