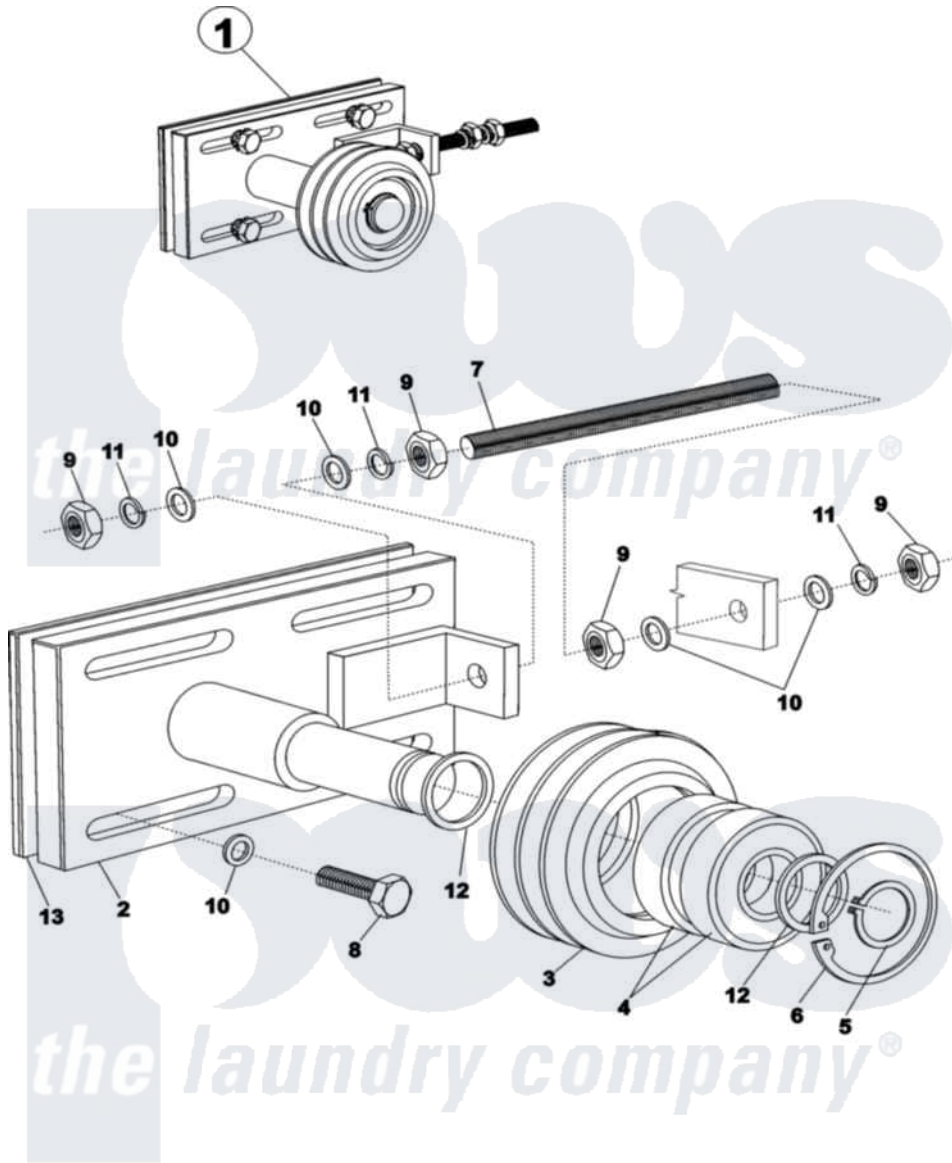


# Maytag MFS125PFVS 08 - IDLER



23-Dec-05  
507 470A

Maytag [Commercial Maytag MFS125PFVS Washer Parts](#) Parts Diagram 08 - IDLER  
[Click on the part number to view part](#)

Item	Original Part Number	Replaced By	Status	Part Description
001	<a href="#">23002662</a>			Tension Roller Assembly
"	<a href="#">23003225</a>			Roller, Tension
002	<a href="#">23002663</a>			Tension Roller
003	<a href="#">23002664</a>			Roller
"	<a href="#">23003226</a>			Roller
004	<a href="#">23002665</a>			Bearing 6305-2RS1/C3
005	<a href="#">23003855</a>			Ring, Retaining 25
006	<a href="#">23003856</a>			Ring, Retaining 62
007	<a href="#">23004438</a>			Adjusting Backscrew Tub
008	NLA		Not Available	SCREW (M12X30)
009	<a href="#">23003676</a>			Nut M12
010	23002657	<a href="#">23001292</a>		Washer
011	<a href="#">23002658</a>			Washer
012	NLA		Not Available	WASHER