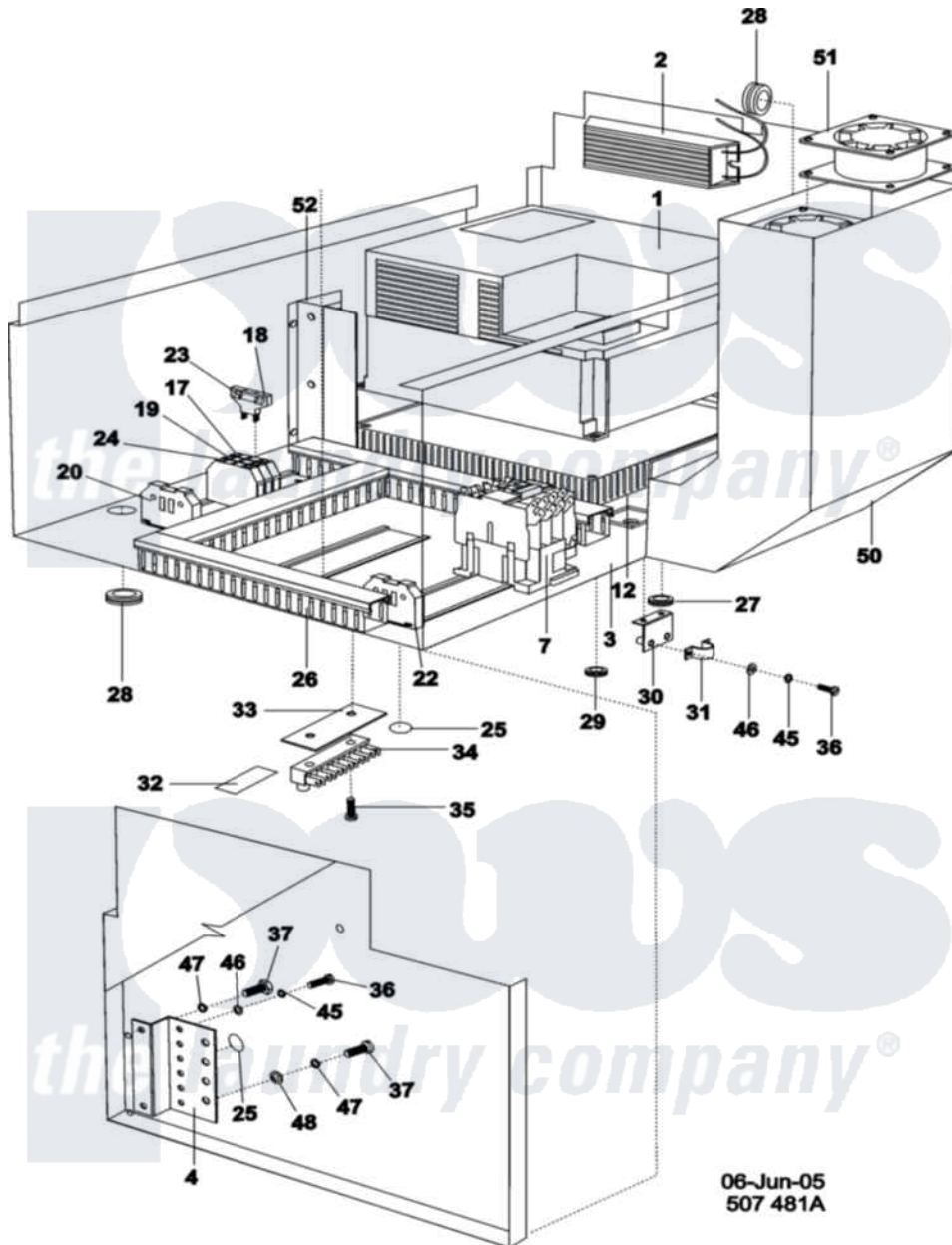


# Maytag MFS125PFVS 16 - ELECTRICAL COMPONENTS



Maytag Commercial Maytag MFS125PFVS Washer Parts Parts Diagram 16 - ELECTRICAL COMPONENTS  
 Click on the part number to view part

Item	Original Part Number	Replaced By	Status	Part Description
001	<a href="#">23004087</a>			Inverter Keb 4.0kW 3 Phase
"	<a href="#">23004089</a>			Inverter Keb 7.5kw 3 Phase
"	<a href="#">23004361</a>			Cable, Communication
002	<a href="#">23004454</a>			Brake Resistor 208-240V
003	<a href="#">23004455</a>			Distrib. Board Comp
004	<a href="#">23002099</a>			Cube, Earth
007	<a href="#">23001103</a>			Contactor
"	<a href="#">23003752</a>			Contactor Lc1
012	<a href="#">23004456</a>			Filter 208-240V 80Lb
"	<a href="#">23004457</a>			Filter 208-240V 100-125LB
017	<a href="#">23003239</a>			Clamp, Fuse Plug
018	<a href="#">23003240</a>			Plug, Fuse
019	<a href="#">23004458</a>			Clamp
020	NLA		Not Available	COVER (VAST4-4)
022	<a href="#">23002799</a>			Stop End
023	23002918	<a href="#">23001508</a>		Fuse

024	23003385	<a href="#">22001555</a>	Fuse
025	<a href="#">23002505</a>		Plate, Earth
026	<a href="#">23002103</a>		Trough, Cable
027	NLA	Not Available	PASSAGE, CABLE (13 X 2)
028	NLA	Not Available	BUSHING, RUBBER
029	<a href="#">23001117</a>		Ring, Rubber
030	<a href="#">23004360</a>		Cable Holder
031	<a href="#">23004021</a>		Cable Socket
032	23003970	Not Available	LABEL, TERMINAL BOARD
033	<a href="#">23001115</a>		Terminal Block Insulation
034	<a href="#">23002154</a>		Housing, Connector
035	23002398	<a href="#">23001089</a>	Screw
036	NLA	Not Available	SCREW (M4X10)
037	<a href="#">23001733</a>		Screw
045	<a href="#">23002950</a>		Lock Washer M4
046	<a href="#">23003955</a>		Washer
047	<a href="#">23002425</a>		Locker Washer M6
048	<a href="#">23003767</a>		Washer Brass
050	<a href="#">23004459</a>		Fan Channel
051	<a href="#">23002165</a>		Ventilator
052	<a href="#">23004460</a>		Fan Chimney

