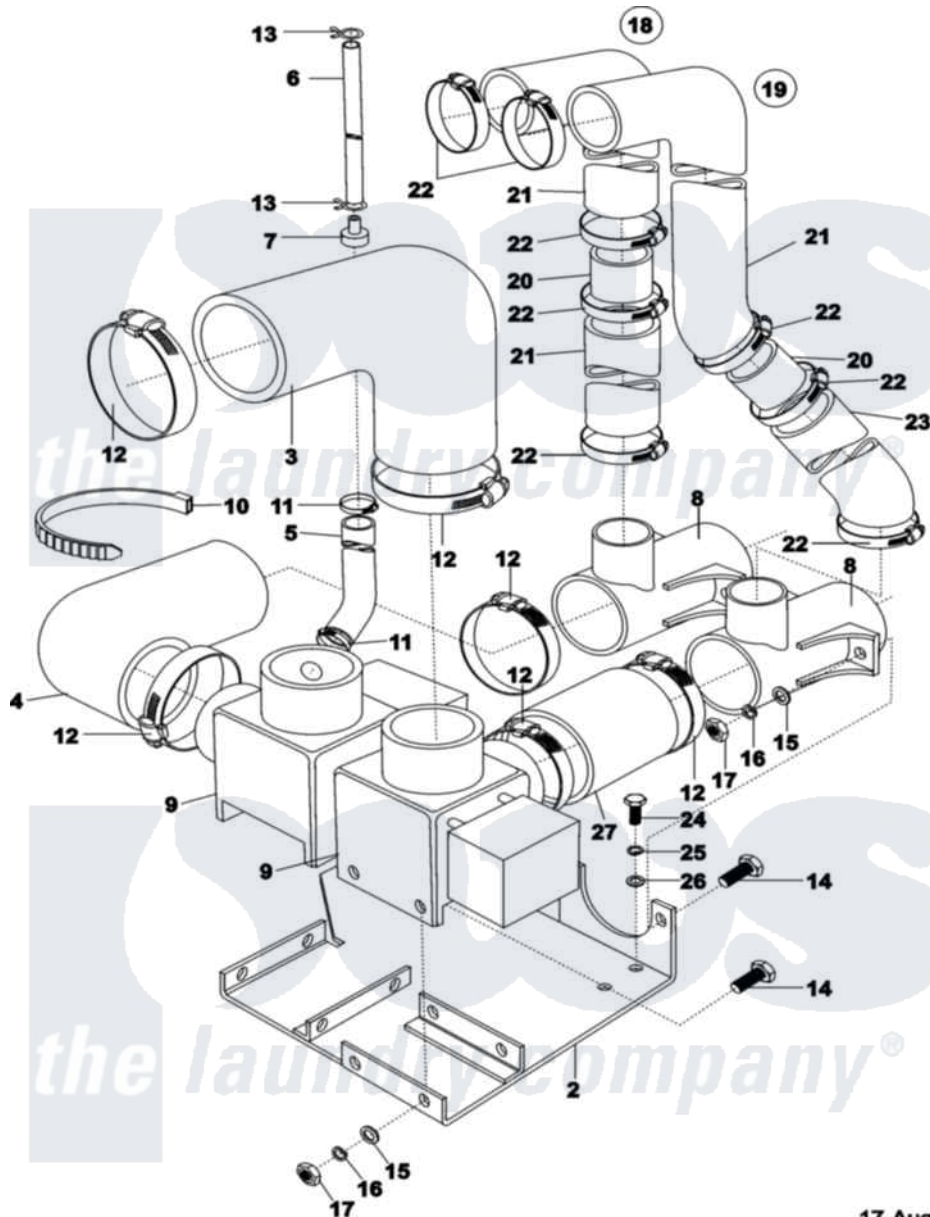


Maytag MFS125PFVS 17 - DRAIN SYSTEM 100-125LB



17-Aug-00
508 011

Maytag [Commercial Maytag MFS125PFVS Washer Parts](#) Parts Diagram 17 - DRAIN SYSTEM 100-125LB
Click on the part number to view part

Item	Original Part Number	Replaced By	Status	Part Description
002	23004461			Drain Board, Complete
003	23002015			Elbow
004	23003245			Hose, 90 Degree Outlet
005	23003035			Elbow
006	23001252			Upper Pressure Switch Hose
007	23001260			Pressure Switch Hose Fitting
008	23001253			Tee, Drain
009	23001244			Valve, Drain
"	23002321			Motor, Drain
"	W10126968			Drain Valve Housing 3"
010	23001720			Binder, Cable
011	23001262	616099		Clamp
012	23001258	696392		Hose Clamp
013	23001257	596669		Clamp, Manifold
014	23002475	23001264		Bolt M8x20
015	23003769	23001203		Washer

016	23002439	23001265	Washer
017	NLA	Not Available	NUT M8
018	23002824		Hose, Direct
019	23002825		Hose, Bended
020	23002826		Pipe
021	23001760		Hose, Overflow
022	23001750		Ring, Clamp
023	23001251		Lower Overflow Hose
024	23002461		Screw
025	23002440		Washer, Spring Lock
026	23003778	23002756	Lockwasher

