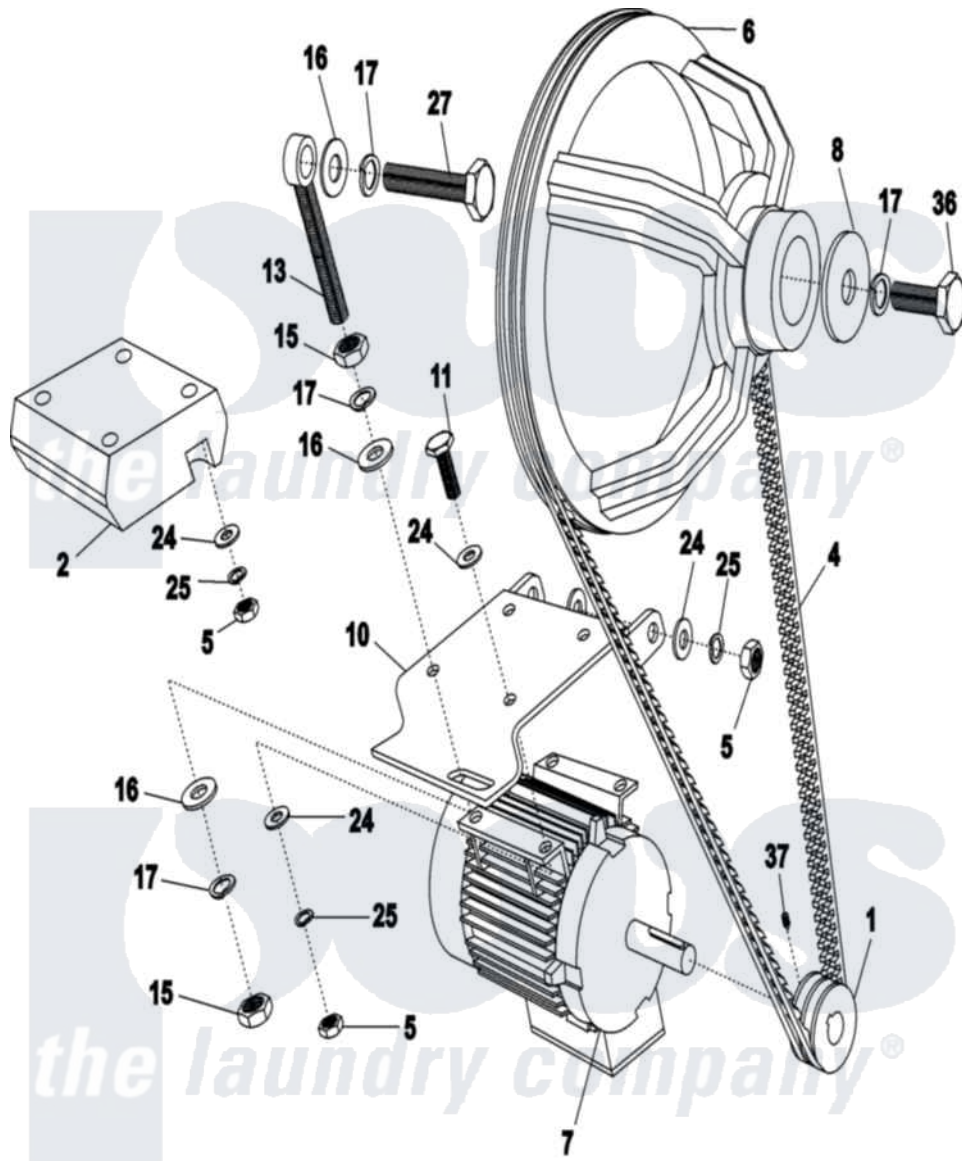


# Maytag MFS35PNFTS 08 - DRIVE



10-Mar-05  
504 382A

Maytag [Commercial Maytag MFS35PNFTS Washer Parts](#) Parts Diagram 08 - DRIVE  
Click on the part number to view part

Item	Original Part Number	Replaced By	Status	Part Description
001	<a href="#">23004401</a>			Pulley, Motor
002	<a href="#">23004402</a>			Motor Counter Weight
004	<a href="#">23004403</a>			V-Belt
005	<a href="#">23003676</a>			Nut M12
006	<a href="#">23004404</a>			Pulley, Drum Mfs35
007	<a href="#">23004082</a>			Motor 240V 3 Phase
008	<a href="#">23003591</a>			Washer
010	<a href="#">23004405</a>			Mounting Plate, Motor
011	23002661	<a href="#">23001283</a>		Bolt
013	NLA		Not Available	SCREW (M16X110)
015	NLA		Not Available	NUT (M16)
016	<a href="#">23001735</a>			Washer M17
017	<a href="#">23003402</a>			Spring Lock Washer 16 Din 127
024	NLA		Not Available	WASHER (10.5)
025	<a href="#">23002658</a>			Washer
027	<a href="#">23004040</a>			Bolt M16x50

