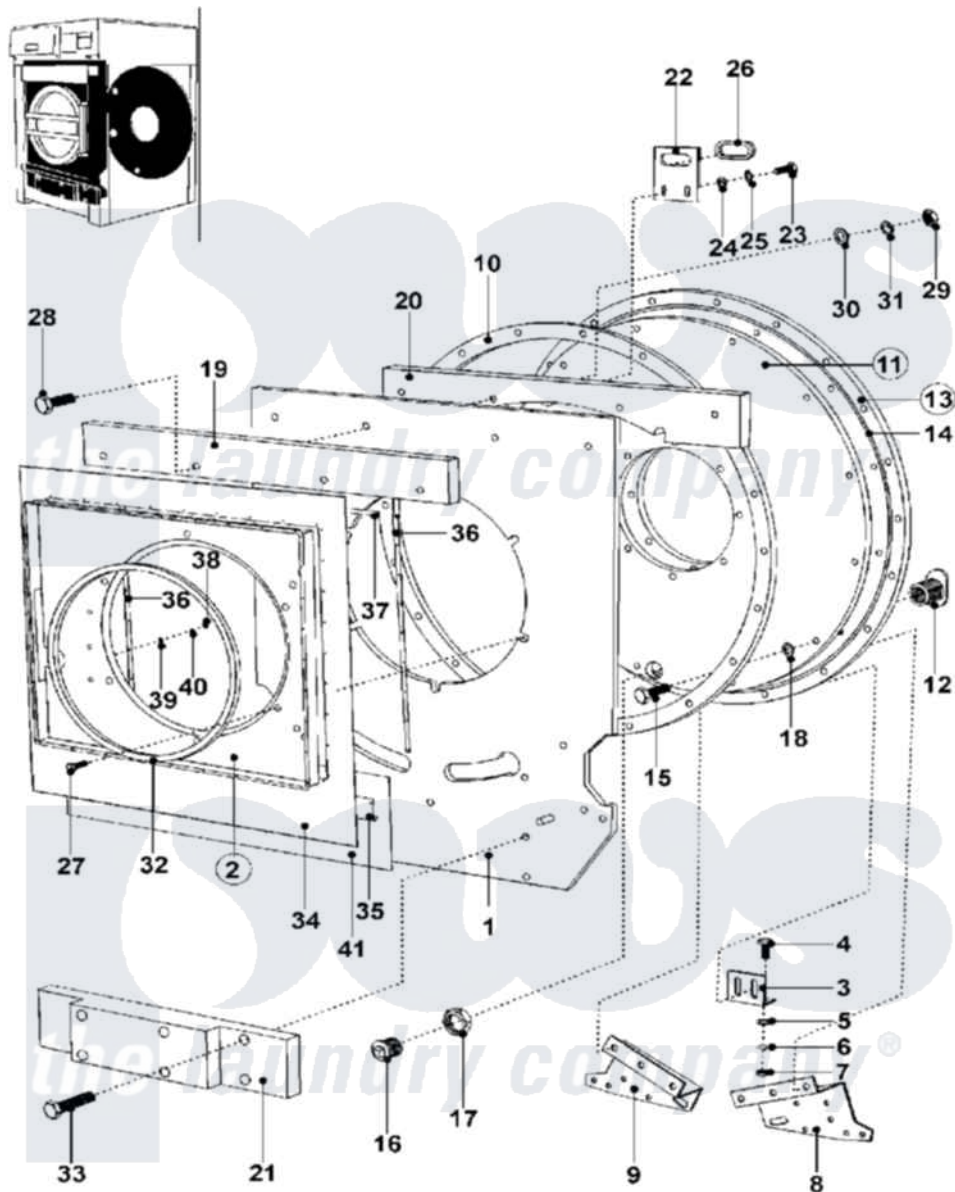


# Maytag MFS50PNDVS 05 - FRONT COUNTER WEIGHT



Maytag [Commercial Maytag MFS50PNDVS Washer Parts](#) Parts Diagram 05 - FRONT COUNTER WEIGHT  
 Click on the part number to view part

Item	Original Part Number	Replaced By	Status	Part Description
001	<a href="#">23003049</a>			Counter Weight
002	<a href="#">23003835</a>			Cover, Complete
003	<a href="#">23003051</a>			Support
004	<a href="#">23002987</a>			Screw
005	<a href="#">23002655</a>			Washer
006	<a href="#">23002654</a>			Washer
007	<a href="#">23001661</a>			Nut M10
008	<a href="#">23003052</a>			Holder, Damper
009	<a href="#">23003053</a>			Damper, Holder
010	<a href="#">23003054</a>			Ring, Assembling Drum
011	<a href="#">23003055</a>			Plate, Back
012	<a href="#">23003056</a>			Joint, Screw
013	<a href="#">23003836</a>			Plate, Rear
014	<a href="#">23003058</a>			Outer Tub Seal
015	23002422	<a href="#">23001157</a>		Bolt
016	<a href="#">23002480</a>			Plug

017	<a href="#">23003059</a>		Nut, Binding
018	<a href="#">23002281</a>		Washer M6.4x12x1.6
019	<a href="#">23003060</a>		Weight
020	<a href="#">23003061</a>		Weight
021	<a href="#">23003062</a>		Lower Counter Weight
022	<a href="#">23003063</a>		Plate, Out Of Balance
023	<a href="#">23002462</a>		Screw Lu
024	23002282	<a href="#">23001027</a>	Washer
025	<a href="#">23002440</a>		Washer, Spring Lock
026	<a href="#">23001117</a>		Ring, Rubber
027	<a href="#">23002721</a>		Screw
028	NLA	Not Available	SCREW (M8X80)
029	23002435	<a href="#">23001266</a>	Nut M8
030	23002653	<a href="#">23001203</a>	Washer
031	23002439	<a href="#">23001265</a>	Washer
032	<a href="#">23002473</a>		Rubber, Protective
033	NLA	Not Available	SCREW (M10X120)
034	<a href="#">23003837</a>		Rubber
035	<a href="#">23003838</a>		Strip, Metal Bottom
036	<a href="#">23003839</a>		Strip, Metal Sides
037	<a href="#">23003840</a>		Strip, Metal Top
038	<a href="#">23002652</a>		Nut
039	<a href="#">23002129</a>		Washer
040	<a href="#">23002674</a>		Spring, Lock Washer
041	<a href="#">23003841</a>		Cardboard

