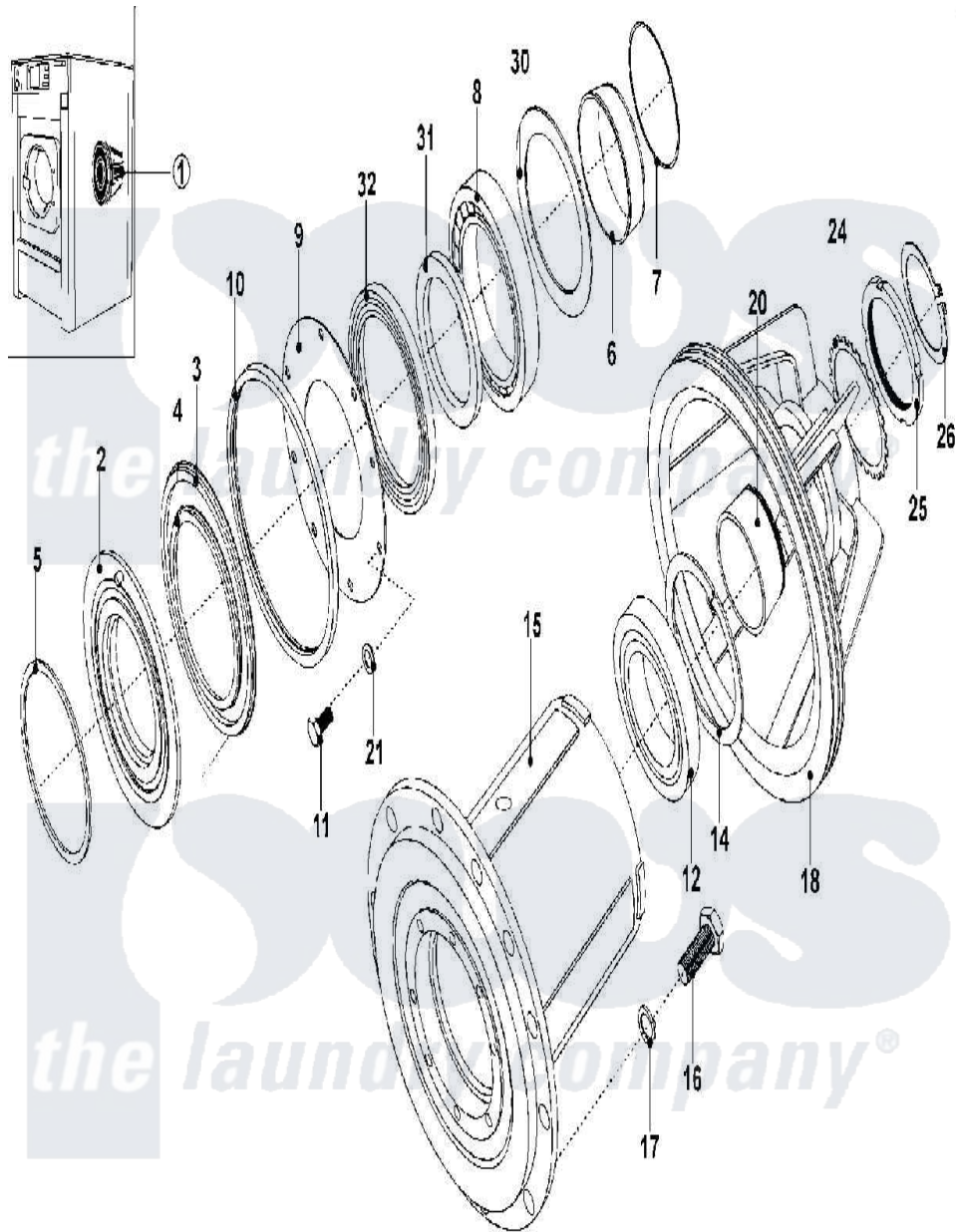


# Maytag MFS50PNDVS 06 - TRUNNION AND BEARING ASSY



Maytag Commercial Maytag MFS50PNDVS Washer Parts Parts Diagram 06 - TRUNNION AND BEARING ASSY  
 Click on the part number to view part

Item	Original Part Number	Replaced By	Status	Part Description
001	23003066	<a href="#">23003851</a>		Rebuilding Kit, Bearing Hou Lu
002	<a href="#">23003842</a>			Seal Retainer
003	<a href="#">23003843</a>			Larger V-Ring
004	<a href="#">23003069</a>			Small V-Ring
005	<a href="#">23003070</a>			O-Ring
006	<a href="#">23003844</a>			Cone, Mounting
007	<a href="#">23003072</a>			Inner Snap Ring
008	<a href="#">23003073</a>			Front Bearing
009	<a href="#">23003845</a>			Plate, Seal
010	<a href="#">23003102</a>			Seal, U
011	23002422	<a href="#">23001157</a>		Bolt
012	<a href="#">23003076</a>			Rear Bearing
014	<a href="#">23003852</a>			Larger Outer Snap Ring
015	<a href="#">23003846</a>			Housing, Bearing
016	<a href="#">23003079</a>			Screw
017	<a href="#">23002658</a>			Washer

018	<a href="#">23003080</a>	Pulley, Belt
020	<a href="#">23001653</a>	Drum Pulley Bushing
021	<a href="#">23002281</a>	Washer M6.4x12x1.6
024	<a href="#">23001868</a>	Ring, Safety
025	<a href="#">23001867</a>	Ring, Fastening
026	<a href="#">23003847</a>	Small Outer Snap Ring
030	<a href="#">23003848</a>	Grease Retainer
031	<a href="#">23003849</a>	Radial Seal Ring
032	<a href="#">23003850</a>	Sealing, Radial
"	<a href="#">23003851</a>	Rebuilding Kit, Bearing Hou Lu

