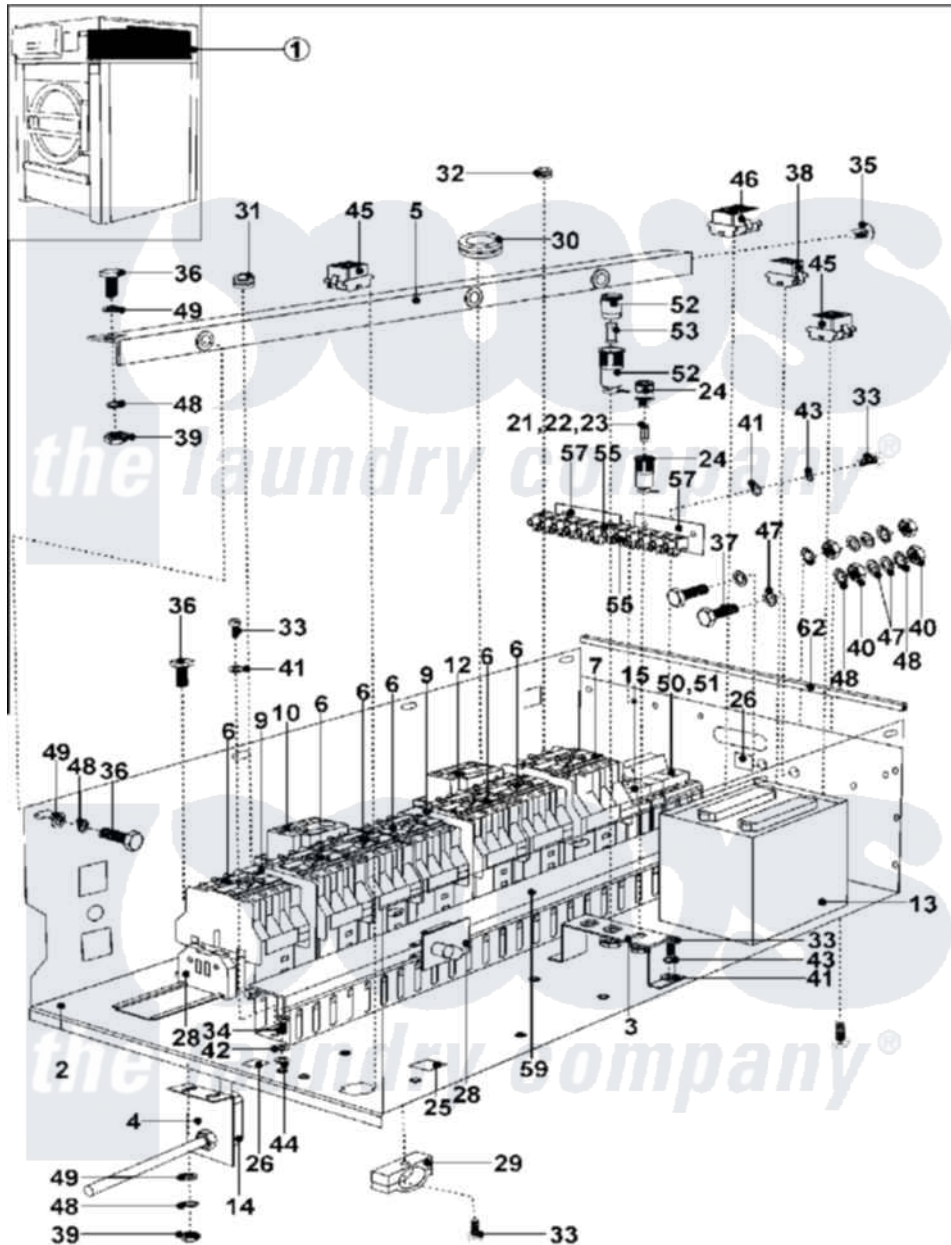


Maytag MFS50PNDVS 14 - ELECTRICAL COMPONENTS



Maytag [Commercial Maytag MFS50PNDVS Washer Parts](#) Parts Diagram 14 - ELECTRICAL COMPONENTS
 Click on the part number to view part

Item	Original Part Number	Replaced By	Status	Part Description
001	23003150			Switchboard
002	23003151			Board, Switchboard Lu
003	NLA		Not Available	HOLDER, FUSE
004	NLA		Not Available	HOLDER, VIBRATION SWITCH
005	NLA		Not Available	HOLDER (COMPLETE)
006	23001101	23003751		Contactora Lc1 D12
007	23001103			Contactora
008	23001340			Contactora
009	23001119	23003762		Mechanical Interlock
010	23001106			Relay, Thermal Overload
012	23001105	23003761		Overload Relay LR2D
013	23003708			Transformer Control Brd
014	23002775			Switch, Vibration
015	23001717			Breaker, Circuit
019	23001094			Bridge, Rectifier
020	NLA		Not Available	PARTS, CONTACT

021	23002918	23001508	Fuse
022	23001463		Fuse
023	23002043		Fuse
024	23001462		Holder, Fuse
025	23003874		Index Plates
026	23002505		Plate, Earth
027	23003155		Parts, Contactor
028	23002110		Terminal Wago
029	23002428		Clip, Cable
030	23001117		Ring, Rubber
031	NLA	Not Available	PASSAGE, CABLE (13 X 2)
032	NLA	Not Available	BUSHING, RUBBER
033	23001609	23002721	Screw
034	23002650		Screw
035	NLA	Not Available	SCREW (M6X10)
036	23002649		Screw
037	23002806		Screw
038	23002154		Housing, Connector
039	23002651	23001312	Mut M6
040	23001515	23001312	Mut M6
041	23001610	23002438	Washer M4.3
042	23002129		Washer
043	23002400		Washer
044	23002656	23001573	Washer
045	23001722		Board, Terminal
046	23002798		Board, Terminal
047	23002726		Washer
048	23002440		Washer, Spring Lock
049	23002282	23001027	Washer
050	23003158		Fuse, Disconnecter
051	23002802		Disconnecter, Fuse
052	23002210		Holder, Fuse
053	23003385	22001555	Fuse
054	NLA	Not Available	RIVET
055	23002154		Housing, Connector
057	23001115		Terminal Block Insulation
058	NLA	Not Available	HOLDER, FUSES
059	23001551		Gutter, Cable
062	23002473		Rubber, Protective