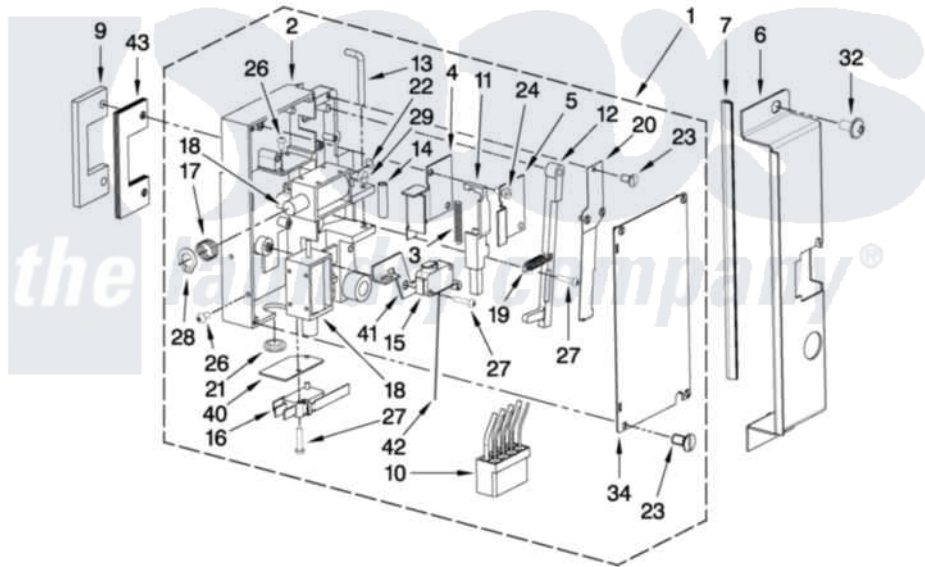


Maytag MFS50PNJVS 03 - DOOR LOCK PARTS

DOOR LOCK PARTS

For Model: MFS50PNJVS
(Stainless)



FOR ORDERING INFORMATION REFER TO PARTS PRICE LIST

4

W10305265

[Maytag Commercial Maytag MFS50PNJVS Washer Parts](#) Parts Diagram 03 - DOOR LOCK PARTS

[Click on the part number to view part](#)

Item	Original Part Number	Replaced By	Status	Part Description
1	23003861			Door Lock Complete
2	Y23002898			Ground, Plate Lock
3	W10286302			Coil Spring
4	23003107			Lock Hookmtg Plate Bottom
5	23003108			Lock Hook Mtg Plate Top
6	23003864			Outer Door Lock Cover
7	23002473			Rubber, Protective
9	W10286304			Door Lock Block
10	W10286305			Door Lock Wire Harness MC5 Starting With Series 22
11	23001140			Small Lock Hook
12	23002899			Handle, Locking Part
13	23001142			Retainer, Lock Tube
14	23001143			Tube, Lock
15	23002337			Microswitch, Lever
16	23001145			Microswitch, Lever
17	23002903			Spring, Locking Part

18	23001146		Coil
19	23001148	23002900	Spring, Locking Part
20	23001149		Leaf Spring, Latch Bar
21	23002479		Rubber Grommet
22	23001136		Washer
23	23002869		Screw
24	23003114		Screw Lu
26	23002869		Screw
27	23001131		Screw
28	23001137		Ring, Retaining
29	23003116		Screw
32	23002722		Screw
34	23004351		Door Lock Cover Plate
40	23003863		Microswitch Insulating Washer
41	23002902	Not Available	EMERGENCY OPENING LEVER
42	23001152		Cord, Emergency Opening
43	W10286306		Shims

