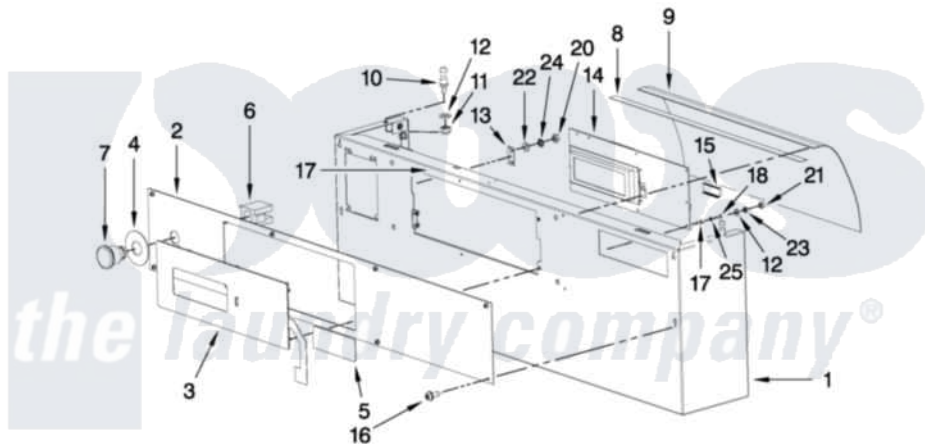


# Maytag MFS50PNJVS 04 - CONTROL PANEL

## CONTROL PANEL

For Model: MFS50PNJVS  
(Stainless)



Maytag [Commercial Maytag MFS50PNJVS Washer Parts](#) Parts Diagram 04 - CONTROL PANEL

[Click on the part number to view part](#)

Item	Original Part Number	Replaced By	Status	Part Description
1	<a href="#">W10286295</a>			Control Panel
2	<a href="#">W10304857</a>			Facia Panel
3	<a href="#">23004133</a>			Key Board, Full Control
4	23002330		Not Available	LABEL, CENTRAL STOP
5	<a href="#">W10304858</a>			Maytag Badge
6	<a href="#">23004137</a>			Contact Block
7	<a href="#">23004136</a>			Stop Button Emergency
8	<a href="#">23004126</a>			Double Sided Tape
9	23002877		Not Available	PLASTIC SHIELD
10	<a href="#">23001332</a>			Alignment Pin
11	<a href="#">23003716</a>			Nut M5
12	<a href="#">23001708</a>			Washer
13	<a href="#">23003871</a>			Mounting Bracket
14	<a href="#">W10286300</a>			Microcontrol Board
15	<a href="#">W10286301</a>	<a href="#">W10304859</a>		Programming Chip W/Software
"	<a href="#">W10304859</a>			Programming Chip W/Software

16	<a href="#">23003810</a>	<a href="#">W10131119</a>	Screw, 8-18 X 5/16
17	<a href="#">23004134</a>		Spacer M3xm5x3
18	<a href="#">23002869</a>		Screw
20	<a href="#">23001014</a>		Nut M4
21	<a href="#">23004486</a>		Nut M5
22	<a href="#">23002438</a>		Washer M4.3
23	<a href="#">23002836</a>		Washer
24	23002865	<a href="#">23001054</a>	Washer, Locking
25	<a href="#">23002870</a>		Lock Washer M4

