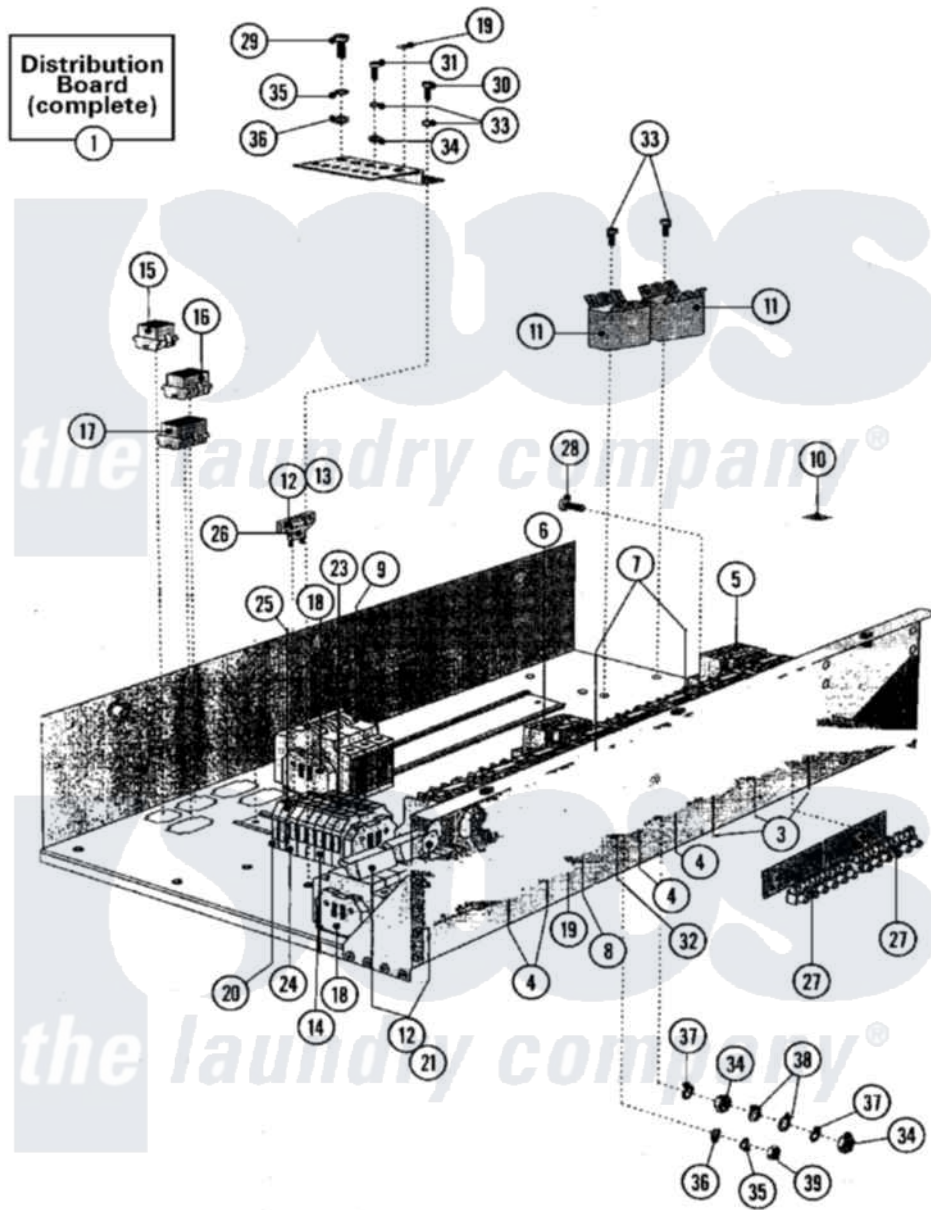


# Maytag MFS75PNAVS 16 - ELECTRICAL COMPONENTS



Maytag [Commercial Maytag MFS75PNAVS Washer Parts](#) Parts Diagram 16 - ELECTRICAL COMPONENTS  
 Click on the part number to view part

Item	Original Part Number	Replaced By	Status	Part Description
001	<a href="#">23003235</a>			Board, Distribution
002	<a href="#">23002099</a>			Cube, Earth
003	23001101	<a href="#">23003751</a>		Contactora Lc1 D12
004	<a href="#">23001102</a>			Contactora
005	23001107	<a href="#">23003759</a>		Overload Relay LR2D
006	<a href="#">23001108</a>			Relay, Thermal Overload
007	23001119	<a href="#">23003762</a>		Mechanical Interlock
008	<a href="#">23002796</a>			Contactora
009	<a href="#">23001717</a>			Breaker, Circuit
010	<a href="#">23003236</a>			Plate, Index
011	<a href="#">23001518</a>			SERIES 15 - NO LONGER NEEDED
"	NLA		Not Available	NET FILTER
012	<a href="#">23001463</a>			Fuse
013	<a href="#">23002043</a>			Fuse
014	<a href="#">23002797</a>			Clamp
015	<a href="#">23001722</a>			Board, Terminal

016	<a href="#">23002798</a>		Board, Terminal
017	<a href="#">23001721</a>		Board, Terminal
018	<a href="#">23002110</a>		Terminal Wago
019	NLA	Not Available	LABEL, EARTH
020	NLA	Not Available	COVER (VAST4-4)
021	<a href="#">23002801</a>		Disconnecter, Fuse
022	NLA	Not Available	INSERT, ROLLER FUSE
023	<a href="#">23002803</a>		Bridge
024	<a href="#">23003238</a>		Cover
025	<a href="#">23003239</a>		Clamp, Fuse Plug
026	<a href="#">23003240</a>		Plug, Fuse
027	<a href="#">23002154</a>		Housing, Connector
028	23001609	<a href="#">23002721</a>	Screw
029	NLA	Not Available	SCREW (M4X10)
030	<a href="#">23002805</a>		Screw
031	<a href="#">23001733</a>		Screw
032	<a href="#">23002806</a>		Screw
033	NLA	Not Available	SCREW (ST4.2 X 13)
034	23001515	<a href="#">23001312</a>	Mut M6
035	<a href="#">23002400</a>		Washer
036	<a href="#">23002725</a>		Washer
037	23002357	<a href="#">23002440</a>	Washer, Spring Lock
038	<a href="#">23002726</a>		Washer
039		Not Available	
040	<a href="#">23001115</a>		Terminal Block Insulation
041	NLA	Not Available	PASSAGE, CABLE (22X2)

*the laundry company®*

*the laundry company®*