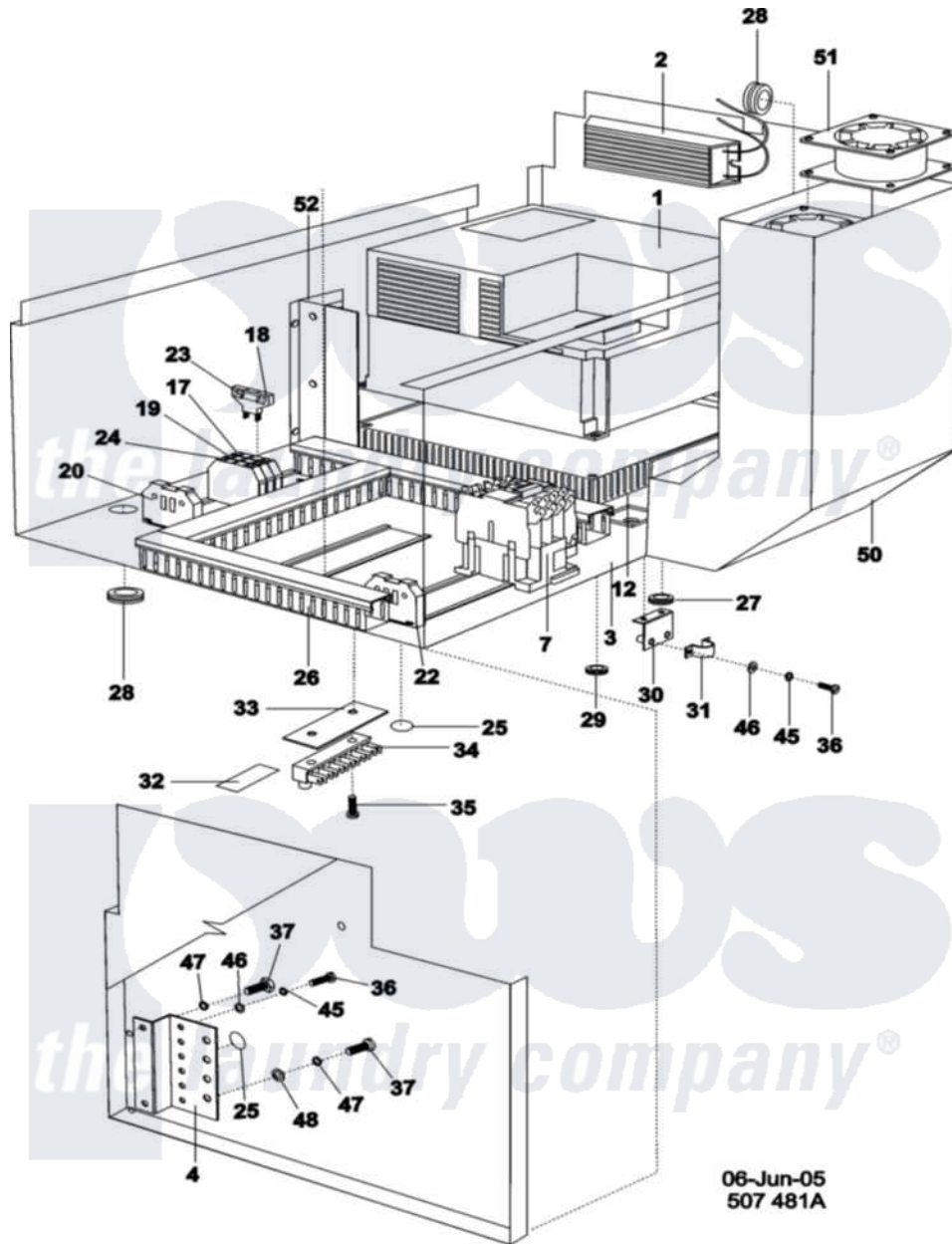


Maytag MFS80PNFVS 16 - ELECTRICAL COMPONENTS



Maytag Commercial Maytag MFS80PNFVS Washer Parts Parts Diagram 16 - ELECTRICAL COMPONENTS
 Click on the part number to view part

Item	Original Part Number	Replaced By	Status	Part Description
001	23004087			Inverter Keb 4.0kW 3 Phase
"	23004089			Inverter Keb 7.5kw 3 Phase
"	23004361			Cable, Communication
002	23004454			Brake Resistor 208-240V
003	23004455			Distrib. Board Comp
004	23002099			Cube, Earth
007	23001103			Contactora
"	23003752			Contactora Lc1
012	23004456			Filter 208-240V 80Lb
"	23004457			Filter 208-240V 100-125LB
017	23003239			Clamp, Fuse Plug
018	23003240			Plug, Fuse
019	23004458			Clamp
020	NLA		Not Available	COVER (VAST4-4)
022	23002799			Stop End
023	23002918	23001508		Fuse

024	23003385	22001555	Fuse
025	23002505		Plate, Earth
026	23002103		Trough, Cable
027	NLA	Not Available	PASSAGE, CABLE (13 X 2)
028	NLA	Not Available	BUSHING, RUBBER
029	23001117		Ring, Rubber
030	23004360		Cable Holder
031	23004021		Cable Socket
032	23003970	Not Available	LABEL, TERMINAL BOARD
033	23001115		Terminal Block Insulation
034	23002154		Housing, Connector
035	23002398	23001089	Screw
036	NLA	Not Available	SCREW (M4X10)
037	23001733		Screw
045	23002950		Lock Washer M4
046	23003955		Washer
047	23002425		Locker Washer M6
048	23003767		Washer Brass
050	23004459		Fan Channel
051	23002165		Ventilator
052	23004460		Fan Chimney

