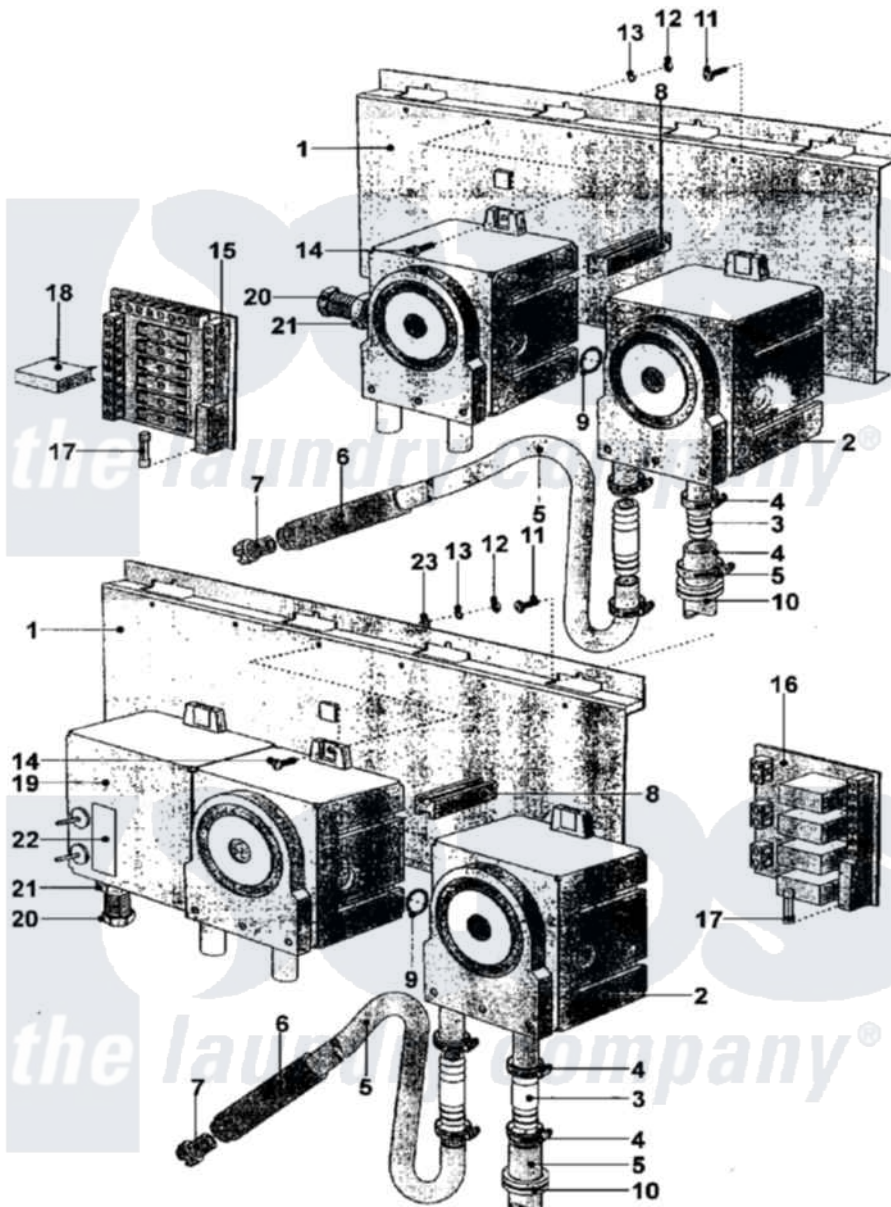


Maytag MFS90PNAVS 19 - PUMP BOARD



Maytag [Commercial Maytag MFS90PNAVS Washer Parts](#) Parts Diagram 19 - PUMP BOARD
 Click on the part number to view part

Item	Original Part Number	Replaced By	Status	Part Description
001	23002827			Bracket, Pump
002	23001730			Pump, Soap
003	23002828			Connector
004	NLA		Not Available	CLAMP (10-16/7.5)
005	23002193			Small Chemical Hose D10/14
006	23002830			Tube
007	23002831			Adapter
008	NLA		Not Available	WEDGE
009	NLA		Not Available	O-RING
010	NLA		Not Available	PASSAGE, CABLE (13 X 2)
011	NLA		Not Available	SCREW (M6X10)
012	23002466	8184504		Nut
013	23002836			Washer
014	NLA		Not Available	SCREW (M5X12)
015	23002320			Board, Auxillary Relay
017	23002838			Fuse

