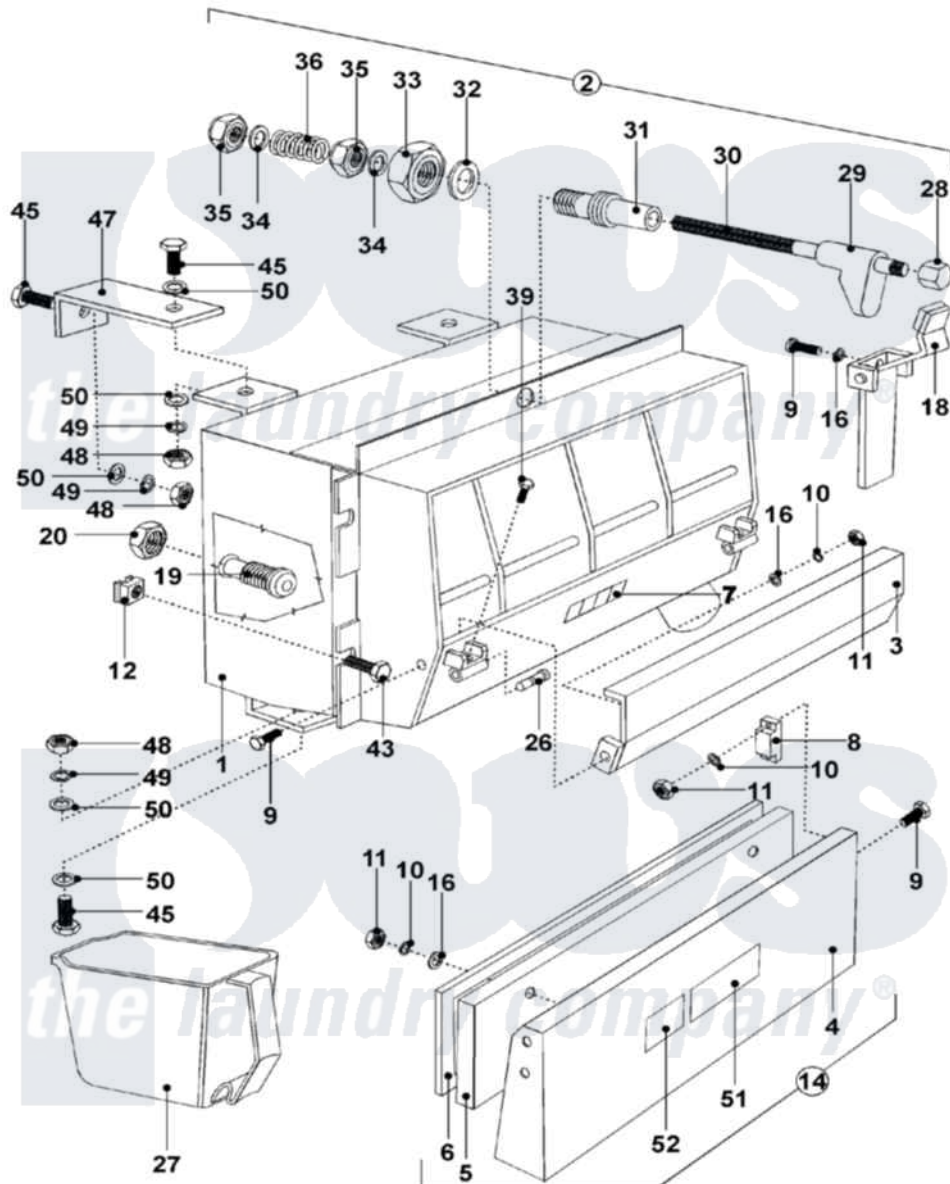


Maytag MFX50NNATS 09 - SOAP BOX ASSEMBLY



Maytag Commercial Maytag MFX50NNATS Washer Parts Parts Diagram 09 - SOAP BOX ASSEMBLY
 Click on the part number to view part

Item	Original Part Number	Replaced By	Status	Part Description
001	Y23002289			Soap Box Assembly
002	23001665			Lock, Soap Box
003	Y23002290			Cover
004	23002291			Door, Soap Box
005	23002292			Insert, Door
006	23001666			Seal Lu
007	23001667			LABEL, SOAP BOX
008	23001668			Contact, Magnetic
009	23001682			Screw
010	23002129			Washer
011	23002652			Nut
012	23002455			Nut, Rapid
014	23002293			Door, Soap Box
016	23002111	23001013		Lock Washer External Teeth M4
018	23001673			Level, Soap Box
019	23001674			Injector

020	23001675	Nut	
026	23001676	23002736	Pin, Door
027	23002294	23002135	Cup, Soap Box
028	23001677	Nut	
029	23001678	Bolt, Handle	
030	23001679	Bolt	
031	23001680	Shaft, Handle	
032	23002658	Washer	
033	23001303	Nut	
034	23001309	Washer Lu	
035	23001310	Nut, Self Locking	
036	23001681	Spring	
039	23001682	Screw	
045	23002647	23001305	Bolt M8x25
047	23002295	Holder	
048	23002435	23001266	Nut M8
049	23002358	LOCK WASHER M8	
050	23003769	23001203	Washer
051	23002296	LABEL, DO NOT OPEN	
052	23002297	LABEL, HEATWARNING	

