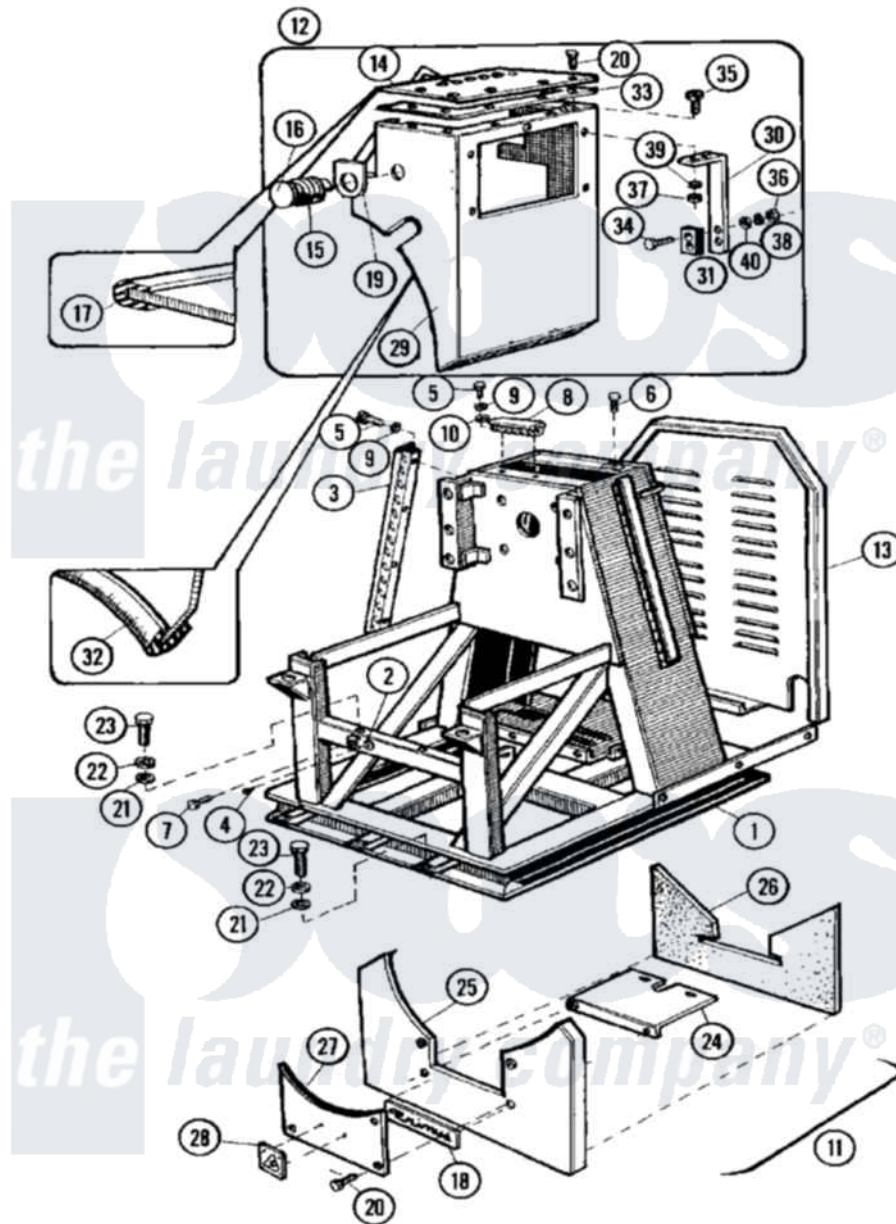


Maytag MFX50PNAVS 01 - FRAME & COVER ASSEMBLY



Maytag [Commercial Maytag MFX50PNAVS Washer Parts](#) Parts Diagram 01 - FRAME & COVER ASSEMBLY
 Click on the part number to view part

Item	Original Part Number	Replaced By	Status	Part Description
001	23002224			Frame
002	23001550			Sticker, Service Warning
003	23001551			Gutter, Cable
004	23001552			Rivet, Blind
005	23001361			Bolt
006	23001157			Bolt
007	23001555			Bolt
008	23001551			Gutter, Cable
009	23001013			Lock Washer External Teeth M4
010	23001056			Ring, Shaft Locking
011	23002223			Front Panel Assembly
012	23002225			Soap Hopper Cover Assembly
013	23002226			Cover, Rear
014	23002227			Lid, Soap Box Cover
015	23001075	23002331		Contactors, Central Stop
016	23001078	23002331		Contactors, Central Stop

017	23001088	23002473	Rubber, Protective
018	23002185		Shield, Primus
019	NLA	Not Available	SHIELD, EMERGENCY STOP
020	23001374	23002462	Screw Lu
021	23001263		Washer
022	23001265		Washer
023	23001264		Bolt M8x20
024	23002228		Support, Front Panel
025	23002229		Panel, Front
026	NLA	Not Available	SHEET, ANTIVIBRATION
027	23002231		Cover
028	NLA	Not Available	LABEL (ELECTRIC HEATING)
029	NLA	Not Available	PLATE, SOAP BOX COVER
030	23002233		Holder, Rear Relay
031	23001566		Switch, Magnetic
032	23001088	23002473	Rubber, Protective
033	23001567		Sheet, Anti-Vibration
034	NLA	Not Available	BOLT (M3X12)
035	NLA	Not Available	SCREW (M4X10)
036	23001053		Nut
037	23001014		Nut M4
038	23001056		Ring, Shaft Locking
039	23001573		Washer
040	23001054		Washer, Locking

the laundry company®

the laundry company®