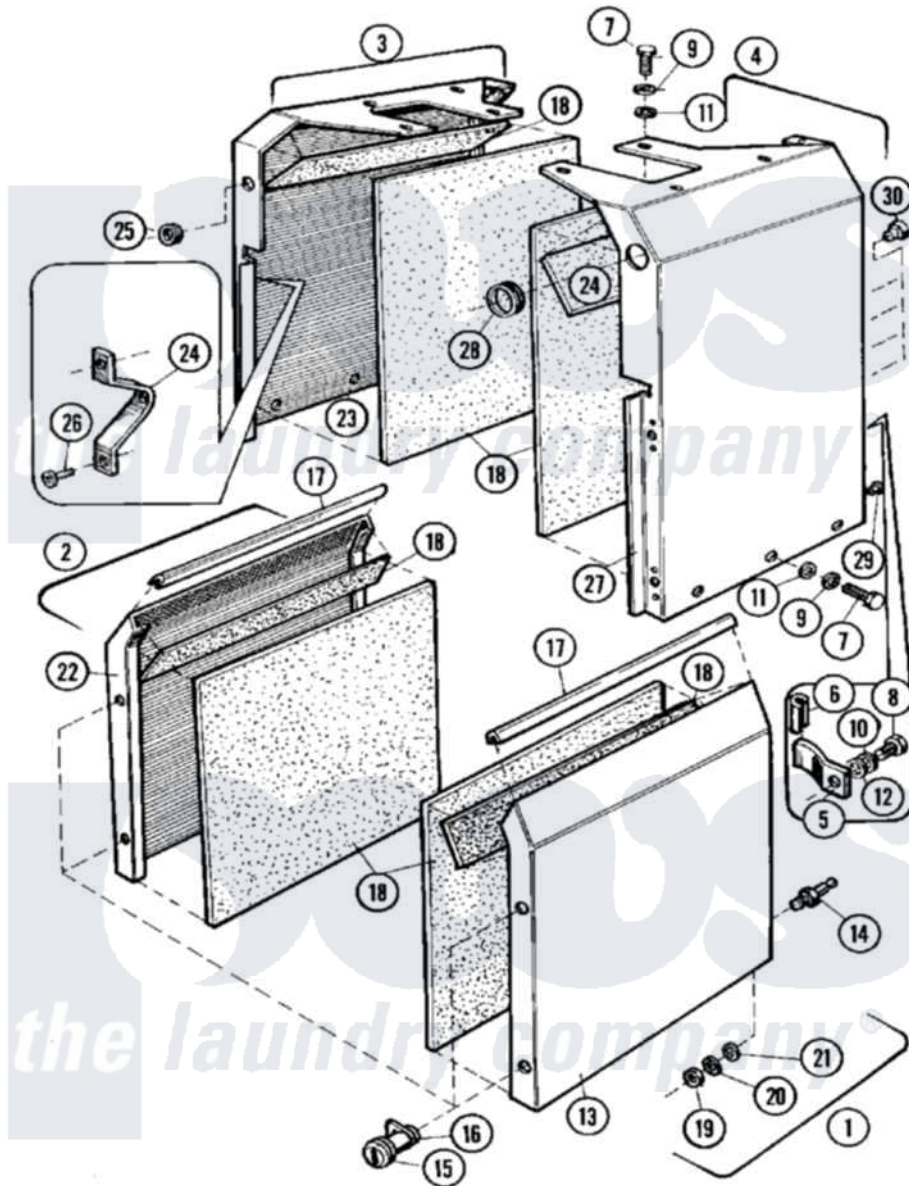


Maytag MFX50PNAVS 02 - SIDE PANEL



Maytag [Commercial Maytag MFX50PNAVS Washer Parts](#) Parts Diagram 02 - SIDE PANEL
 Click on the part number to view part

Item	Original Part Number	Replaced By	Status	Part Description
001	23002234			Panel, Front Rt. Side
002	23002235			Panel, Front Left Side
003	NLA		Not Available	PANEL, BACK LT. SIDE (COMP.)
004	NLA		Not Available	PANEL, BACK RT. SIDE (COMP.)
005	23002238			Clamp, Rear Cover
006	23001088	23002473		Rubber, Protective
007	23001577			Bolt Lu
008	23001157			Bolt
009	NLA		Not Available	WASHER (10.5)
010	23001580			Washer
011	23001400			Lock Washer, Spring
012	23001582			Washer
013	NLA		Not Available	PANEL, FRONT SIDE (RT.)
014	23001332			Alignment Pin
015	23001007			Washer M21x27x1

"	23001583		Device, Locking
016	23001008		Nut, Lock
"	23001009		Hook, Lock
"	23001011		Nut
017	23001088	23002473	Rubber, Protective
018	23001567		Sheet, Anti-Vibration
019	23001334	8184504	Nut
020	23001585		Washer
021	23001333	23004485	Lock Washer M5
022	23002240		Panel, Front Side
023	23002241		Panel, Back Side
024	23001032		Spring Clip
025	23001587		Protection, Rubber
026	23001033		Rivets, Blind Lu
027	23002242		Panel, Back Side
028	23001088	23002473	Rubber, Protective
029	23001575		Nut, Insert
030	23002243		Plug, Universal

