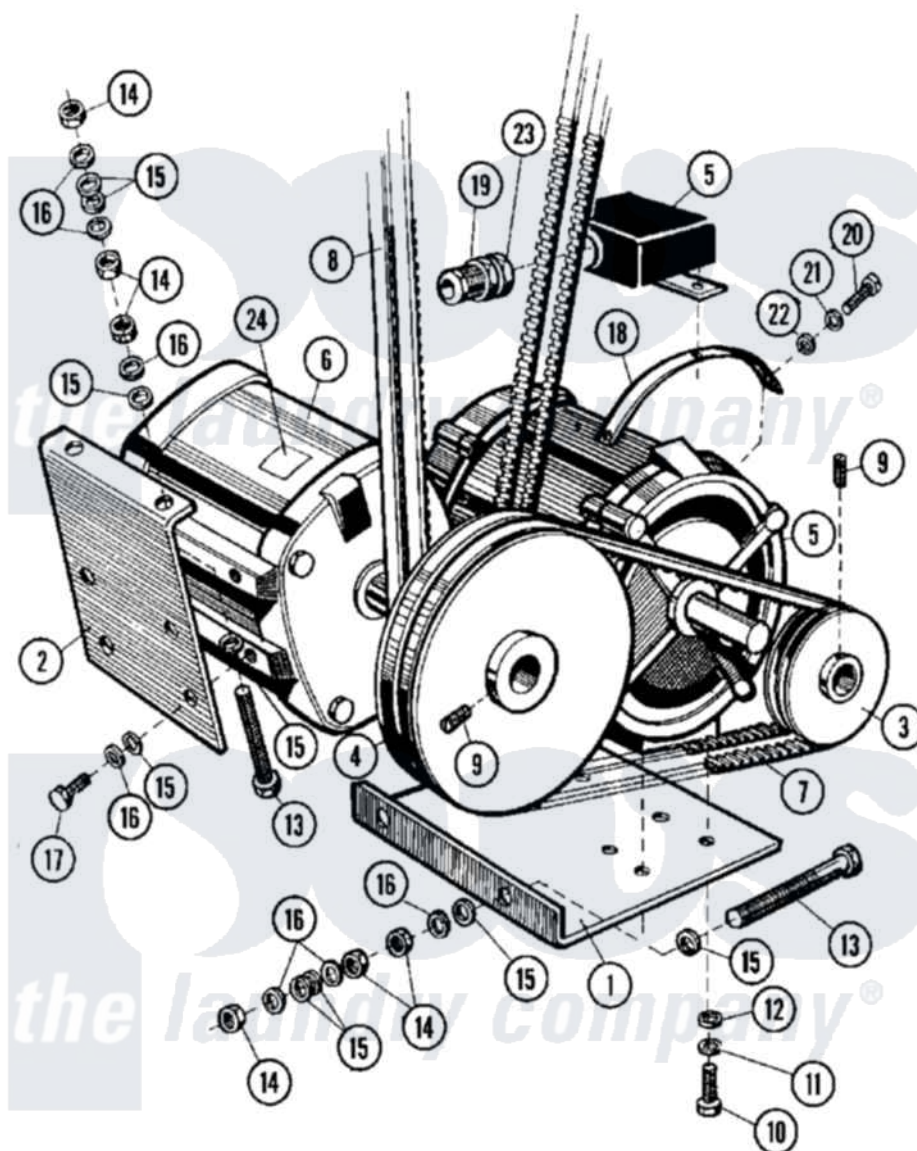


# Maytag MFX50PNAVS 08 - MOTOR & PULLEY



Maytag Commercial Maytag MFX50PNAVS Washer Parts Parts Diagram 08 - MOTOR & PULLEY  
 Click on the part number to view part

Item	Original Part Number	Replaced By	Status	Part Description
001	<a href="#">23002283</a>			Plate, Washmotor Adjusting
002	<a href="#">23002284</a>			Plate, Spinmotor Adjusting
003	<a href="#">23002285</a>			Pulley, Washmotor
"	<a href="#">23002285</a>			Pulley, Washmotor
004	<a href="#">23002286</a>			Pulley, Spinmotor
"	<a href="#">23002717</a>			Screw
005	<a href="#">23001654</a>			Washmotor
006	<a href="#">23001655</a>			Spinmotor
007	<a href="#">23002200</a>			V-Belt, Motor
008	<a href="#">23001657</a>			V-Belt
009	<a href="#">23001658</a>			Screw
010	<a href="#">23001305</a>			Bolt M8x25
011	<a href="#">23001265</a>			Washer
012	<a href="#">23001263</a>			Washer
013	<a href="#">23001660</a>			Screw
014	<a href="#">23001661</a>			Nut M10

015	<a href="#">23001400</a>		Lock Washer, Spring
016	NLA	Not Available	WASHER (10.5)
017	<a href="#">23001662</a>		Bolt
018	NLA	Not Available	HOLDER, MOTOR TERMINAL BOARD
019	<a href="#">23002196</a>		Protector, Cable
020	NLA	Not Available	SCREW (M6X16)
021	<a href="#">23001582</a>		Washer
022	<a href="#">23001580</a>		Washer
023	<a href="#">23002197</a>		Med. Strain Relief Nut
024	NLA	Not Available	SHIELD, MOTOR

