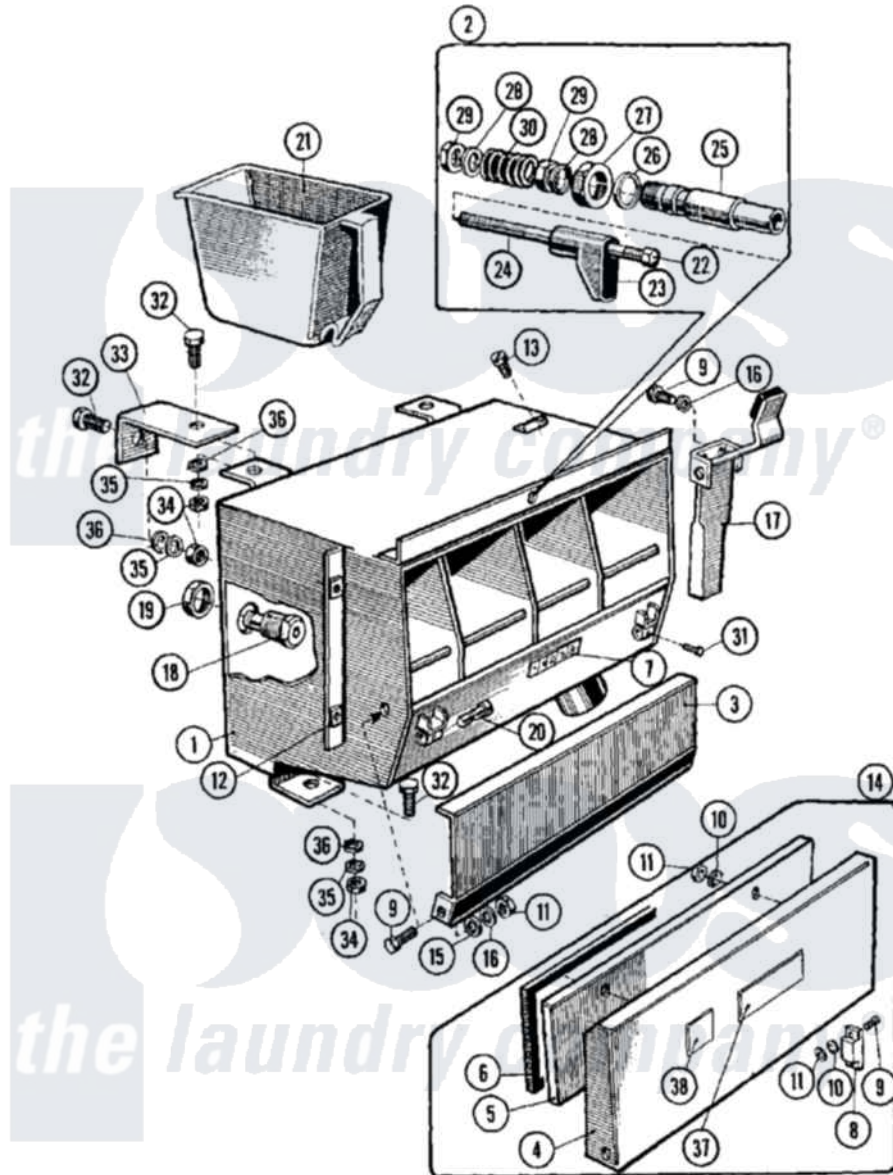


Maytag MFX50PNAVS 09 - SOAP BOX ASSEMBLY



Maytag [Commercial Maytag MFX50PNAVS Washer Parts](#) Parts Diagram 09 - SOAP BOX ASSEMBLY
 Click on the part number to view part

Item	Original Part Number	Replaced By	Status	Part Description
001	Y23002289			Soap Box Assembly
002	23001665			Lock, Soap Box
003	Y23002290			Cover
004	23002291			Door, Soap Box
005	23002292			Insert, Door
006	23001666			Seal Lu
007	23001667			LABEL, SOAP BOX
008	23001668			Contact, Magnetic
009	23001669			Screw
010	23001670			Washer
011	23001014			Nut M4
012	23001339	23002455		Nut, Rapid
013	23001070			Screw
014	23002293			Door, Soap Box
015	23001056			Ring, Shaft Locking
016	23001636	23002674		Spring, Lock Washer

017	23001673		Level, Soap Box
018	23001674		Injector
019	23001675		Nut
020	23001676	23002736	Pin, Door
021	23002294	23002135	Cup, Soap Box
022	23001677		Nut
023	23001678		Bolt, Handle
024	23001679		Bolt
025	23001680		Shaft, Handle
026	23001419		Lockwasher
027	23001303		Nut
028	23001309		Washer Lu
029	23001310		Nut, Self Locking
030	23001681		Spring
031	23001682		Screw
032	23001305		Bolt M8x25
033	23002295		Holder
034	23001266		Nut M8
035	23001265		Washer
036	23001263		Washer
037	23002296		LABEL, DO NOT OPEN
038	23002297		LABEL, HEATWARNING

