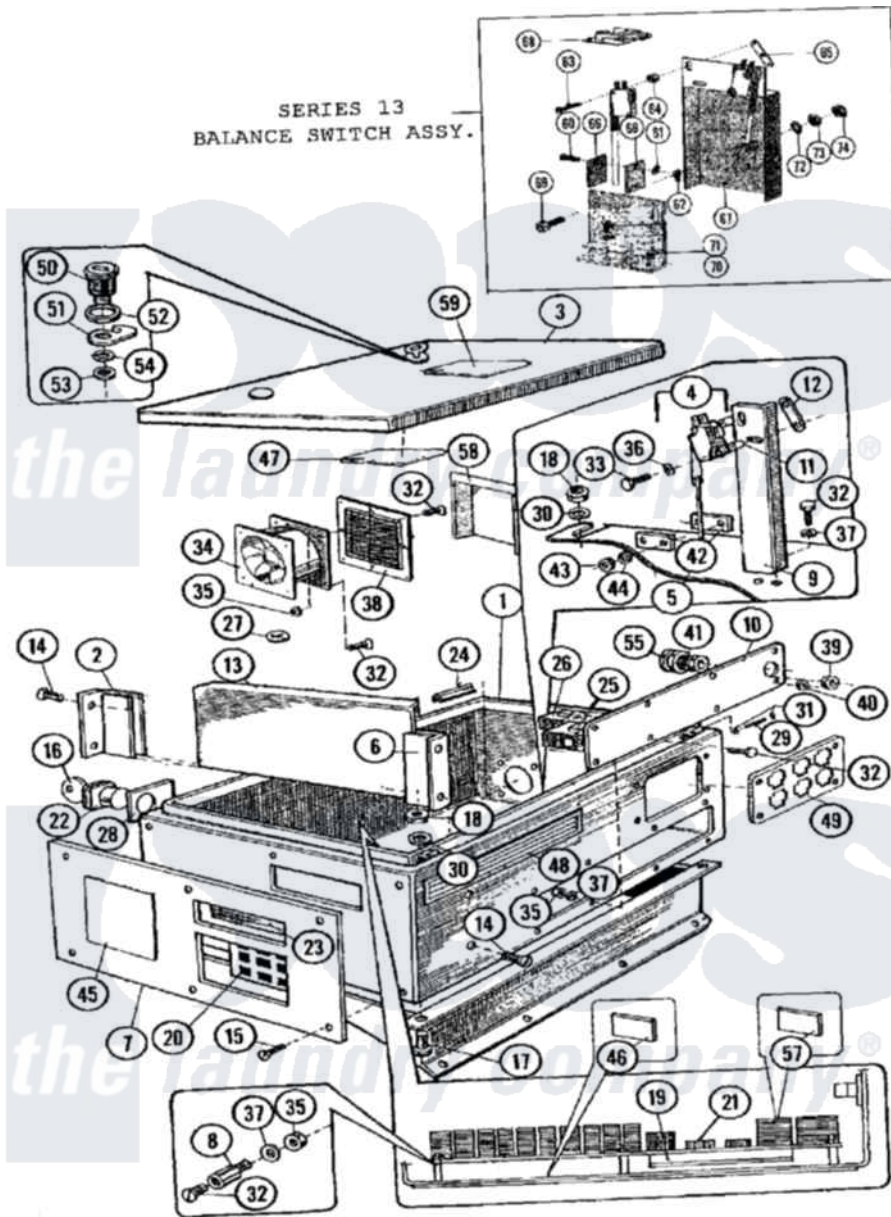


# Maytag MFX50PNAVS 10 - CONTROL PANEL



Maytag [Commercial Maytag MFX50PNAVS Washer Parts](#) Parts Diagram 10 - CONTROL PANEL  
 Click on the part number to view part

Item	Original Part Number	Replaced By	Status	Part Description
001	NLA		Not Available	BOX, CONTROL (COMPLETE)
002	<a href="#">23001684</a>			Holder, Screening Plate
003	<a href="#">23002299</a>			Cover, Box
004	<a href="#">23002077</a>			Switch, Out Of Balance
005	<a href="#">23002158</a>			Plate, Mounting
006	<a href="#">23001685</a>			Holder, Screening Plate
007	<a href="#">23002159</a>			Plate, Facia
008	<a href="#">23002084</a>			Holder, Programmer
009	<a href="#">23002160</a>			Holder, Vibration Switch
010	NLA		Not Available	HOLDER, TERMINAL BOARD
011	NLA		Not Available	WASHER, MICROSWITCH
012	NLA		Not Available	NUT, MICROSWITCH
013	NLA		Not Available	PLATE, SCREENING
014	<a href="#">23002162</a>			Bolt
015	23002300	<a href="#">23001971</a>		Screw
016	<a href="#">23002219</a>			Device, Operating

017	NLA	Not Available	BOLT (M8X15)
018	<a href="#">23002034</a>		Nut
019	<a href="#">23002201</a>		Microprocessor
020	<a href="#">23001692</a>		Keyboard
021	23003744	<a href="#">23003745</a>	Controller, Apl280ne V1.04
"	<a href="#">23003745</a>		Controller, Apl280ne V1.04
022	23001082	<a href="#">12001896</a>	Kit- Key S
023	<a href="#">23002163</a>		Hole, Inspection
024	23001088	<a href="#">23002473</a>	Rubber, Protective
025	<a href="#">23001721</a>		Board, Terminal
026	<a href="#">23001722</a>		Board, Terminal
027	NLA	Not Available	LABEL, EARTH
028	NLA	Not Available	LABEL, KEYSWITCH
029	<a href="#">23001690</a>		Screw, Distance
030	<a href="#">23001263</a>		Washer
031	<a href="#">23001056</a>		Ring, Shaft Locking
032	<a href="#">23001361</a>		Bolt
033	NLA	Not Available	SCREW (M3X22)
034	<a href="#">23002165</a>		Ventilator
035	23001055	<a href="#">23001014</a>	Nut M4
036	<a href="#">23001056</a>		Ring, Shaft Locking
037	<a href="#">23001708</a>		Washer
038	<a href="#">23002166</a>		Grate, Air
039	<a href="#">23001091</a>		Passage, Cable
040	<a href="#">23002167</a>		Grommett, Rubber
041	<a href="#">23002196</a>		Protector, Cable
042	<a href="#">23001712</a>		Weight, Adjustment
043	<a href="#">23001053</a>		Nut
044	<a href="#">23001054</a>		Washer, Locking
045	23002097	Not Available	LABEL, PROGRAM
046	<a href="#">23002025</a>		Label, Electrostatic Sensitive
047	<a href="#">23001550</a>		Sticker, Service Warning
048	<a href="#">23002168</a>		Grate, Air
049	<a href="#">23002169</a>		Holder, Terminal Boards
050	<a href="#">23001006</a>		Lock, Top Panel
051	<a href="#">23001009</a>		Hook, Lock
052	<a href="#">23001008</a>		Nut, Lock
053	<a href="#">23001011</a>		Nut
054	<a href="#">23001007</a>		Washer M21x27x1
055	<a href="#">23002197</a>		Med. Strain Relief Nut
057	NLA	Not Available	LABELS, DESCRIPTION
058	<a href="#">23002222</a>		Cover, Ventilator
059	<a href="#">23002301</a>		LABEL, EL.FLASH
060	23002398	<a href="#">23001089</a>	Screw
061	23002503	<a href="#">23002950</a>	Lock Washer M4
062	23003666	<a href="#">23001014</a>	Nut M4
063	<a href="#">23002092</a>		Bolt
064	<a href="#">23002086</a>		Washer, Microswitch
065	23003711	<a href="#">23004069</a>	Nut, Microswitch
066	<a href="#">23003712</a>		Adjustment Weight
067	<a href="#">23003713</a>		Balance Switch Holder
"	<a href="#">23003977</a>		Microswitch

068	<a href="#">23001146</a>		Coil
069	<a href="#">23003714</a>		Bolt M5x16
070	<a href="#">23003713</a>		Balance Switch Holder
071	<a href="#">23003715</a>		Washer, Balance Switch
072	23002862	<a href="#">23001708</a>	Washer
073	<a href="#">23002452</a>	<a href="#">8184504</a>	Nut
074	<a href="#">23003716</a>		Nut M5

