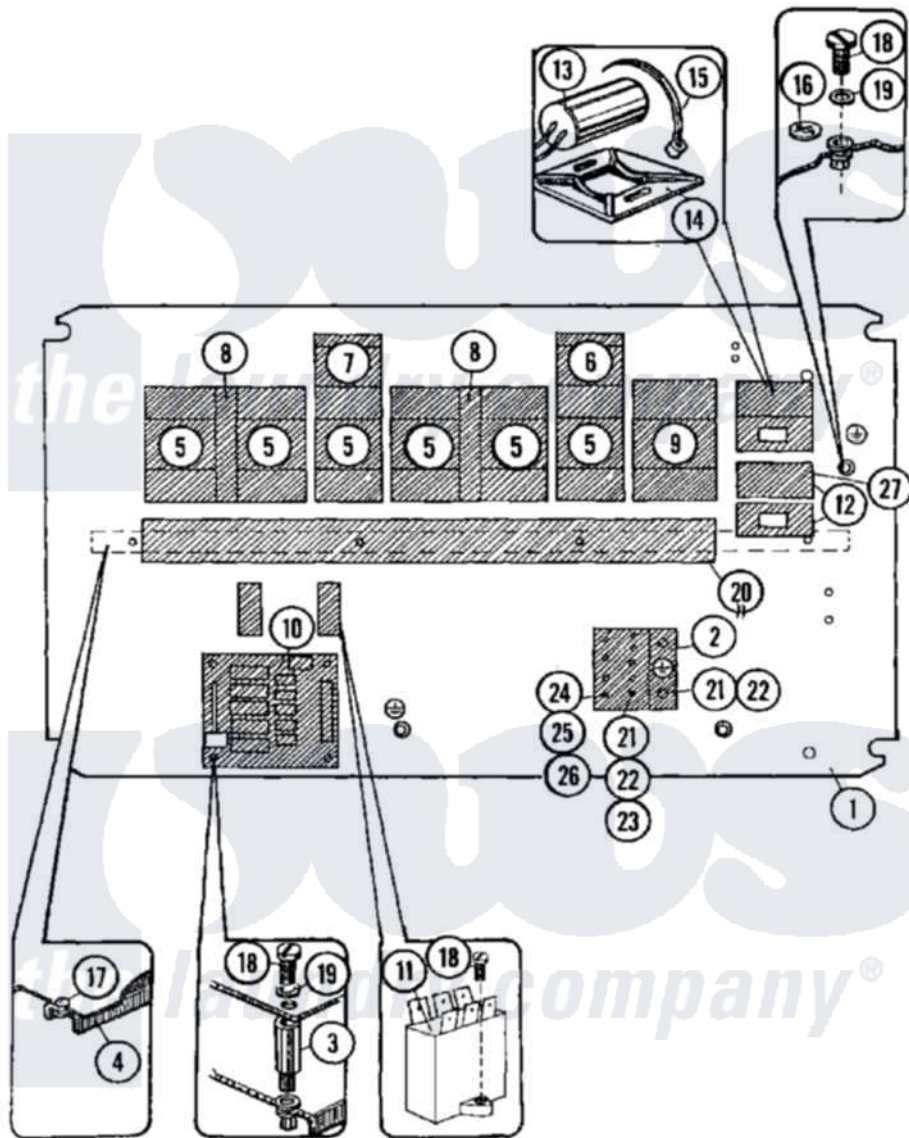


# Maytag MFX50PNAVS 11 - MAIN CONTROL



Maytag Commercial Maytag MFX50PNAVS Washer Parts Parts Diagram 11 - MAIN CONTROL  
 Click on the part number to view part

Item	Original Part Number	Replaced By	Status	Part Description
001	<a href="#">23002158</a>			Plate, Mounting
"	NLA		Not Available	LABEL, DESCRIPTION
002	<a href="#">23002099</a>			Cube, Earth
003	<a href="#">23002084</a>			Holder, Programmer
004	<a href="#">23001716</a>			Support, Mounting Plate
005	23001101	<a href="#">23003751</a>		Contactor Lc1 D12
"	<a href="#">23001102</a>			Contactor
006	23001105	<a href="#">23003761</a>		Overload Relay LR2D
"	<a href="#">23001106</a>			Relay, Thermal Overload
007	<a href="#">23001108</a>			Relay, Thermal Overload
"	23002101	<a href="#">23003757</a>		Overload Relay 5.5-8A
008	23001119	<a href="#">23003762</a>		Mechanical Interlock
009	<a href="#">23001717</a>			Breaker, Circuit
010	<a href="#">23001718</a>			Board, Additional
011	<a href="#">23001518</a>			SERIES 15 - NO LONGER NEEDED
"	NLA		Not Available	R-C MEMBER FZ

012	<a href="#">23001094</a>		Bridge, Rectifier
013	NLA	Not Available	CONDENSOR
014	<a href="#">23002048</a>		Cushion, Self-Adhesive
015	<a href="#">23001720</a>		Binder, Cable
016	NLA	Not Available	LABEL, EARTH
017	NLA	Not Available	RIVET, BLIND
018	<a href="#">23001361</a>		Bolt
019	<a href="#">23001056</a>		Ring, Shaft Locking
020	<a href="#">23002103</a>		Trough, Cable
021	23001748	<a href="#">23002721</a>	Screw
022	23002111	<a href="#">23001013</a>	Lock Washer External Teeth M4
023	<a href="#">23002129</a>		Washer
024	<a href="#">23002303</a>		Bolt
025	23001734	<a href="#">23002425</a>	Locker Washer M6
026	23001643	<a href="#">23002424</a>	Washer M6.4
027	<a href="#">23001099</a>		Socket, Pc Board Socket

