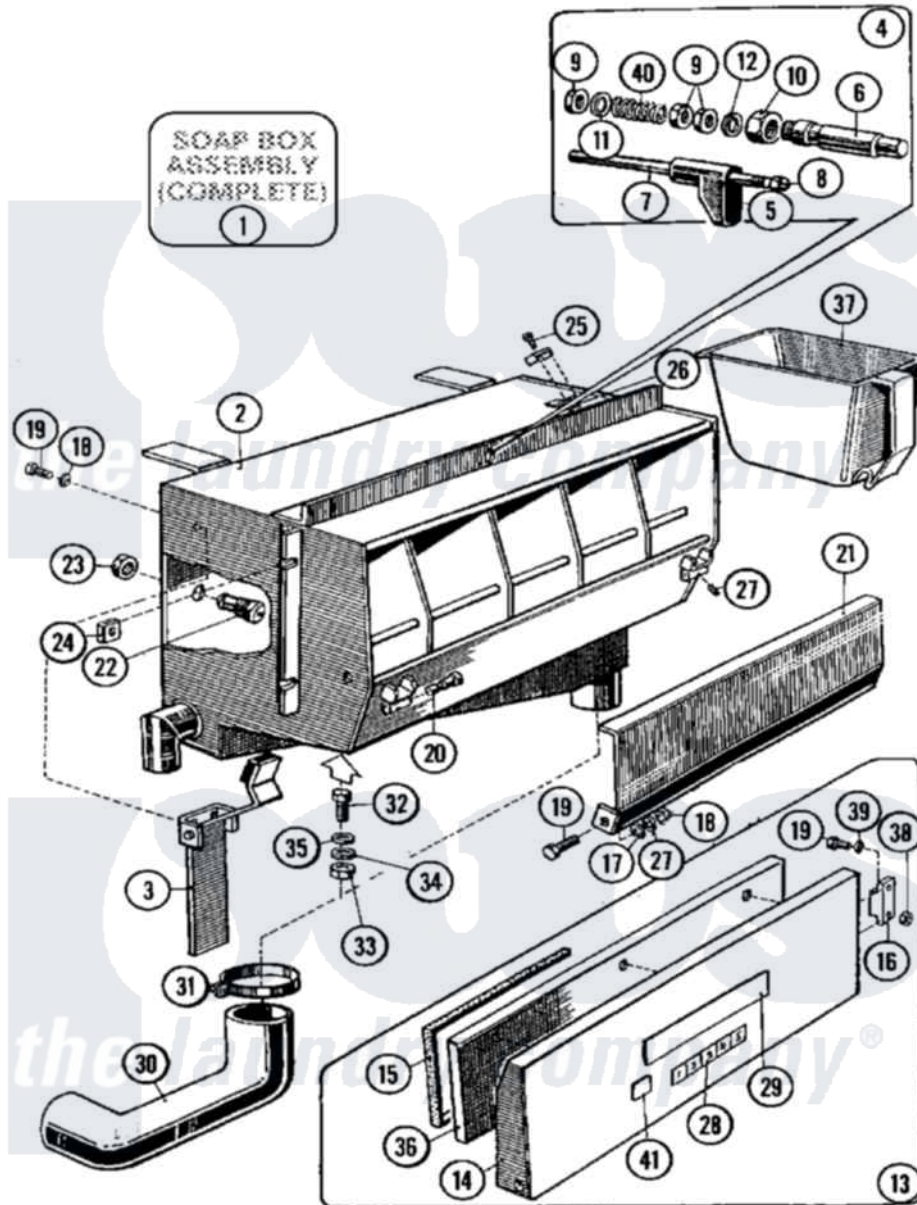


Maytag MFX75PNAVS 09 - SOAP BOX ASSEMBLY



Maytag Commercial Maytag MFX75PNAVS Washer Parts Parts Diagram 09 - SOAP BOX ASSEMBLY
 Click on the part number to view part

Item	Original Part Number	Replaced By	Status	Part Description
001	23001986			Soap Box Assembly
002	23001987			Soap Box
003	23001673			Level, Soap Box
004	23001665			Lock, Soap Box
005	23001678			Bolt, Handle
006	23001680			Shaft, Handle
007	23001679			Bolt
008	23001677			Nut
009	23001310			Nut, Self Locking
010	23001303			Nut
011	23001309			Washer Lu
012	23001292			Washer
013	23001996			Door, Soap Box
014	23001997			Door, Soap Box
015	23001998			Seal
016	23001668			Contact, Magnetic

017	23001670		Washer
018	23001636	23002674	Spring, Lock Washer
019	23001669		Screw
020	23001676	23002736	Pin, Door
021	23002000	23002737	Cover
022	23001674		Injector
023	23001675		Nut
024	23001339	23002455	Nut, Rapid
025	23001070		Screw
026	23001055	23001014	Nut M4
027	NLA	Not Available	SCREW (M4X6)
028	23002005	Not Available	LABEL, SOAP BOX
029	23002134		Shield
030	23002006		Hose, Soap Box Tube
031	23001256	34001289	Clamp, Hose
032	NLA	Not Available	BOLT (M8)
033	23001266		Nut M8
034	23001265		Washer
035	23001263		Washer
036	23002008		Support, Seal
037	23002135		Cup, Soap Box
038	23001014		Nut M4
039	23001670		Washer
040	23002010		Spring
041	23002124	Not Available	LABEL, HEAT WARNING

