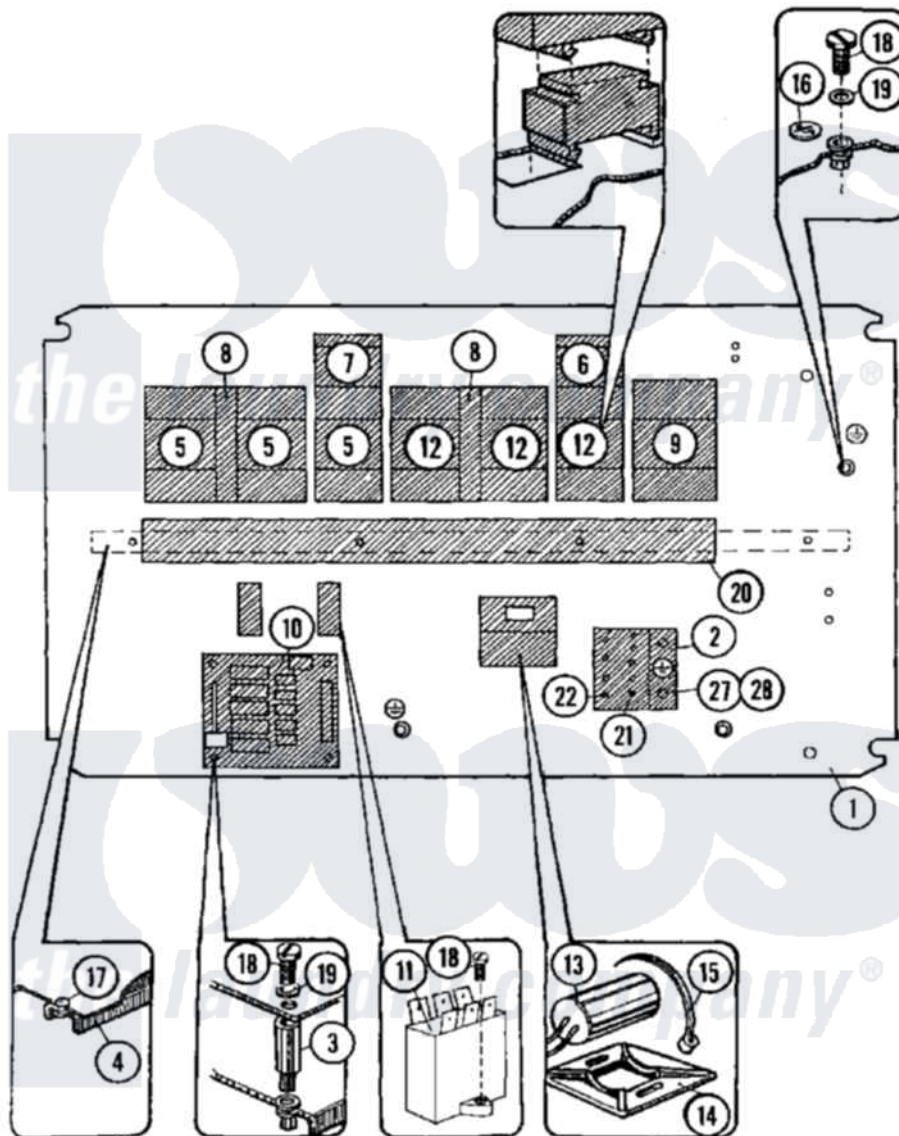


Maytag MFX75PNAVS 15 - MAIN CONTROL



Maytag Commercial Maytag MFX75PNAVS Washer Parts Parts Diagram 15 - MAIN CONTROL
 Click on the part number to view part

Item	Original Part Number	Replaced By	Status	Part Description
001	23002082			Plate, Ele. Component Mounting
002	23002099			Cube, Earth
003	23002084			Holder, Programmer
004	23001716			Support, Mounting Plate
005	23001101	23003751		Contactor Lc1 D12
006	23001106			Relay, Thermal Overload
"	23001108			Relay, Thermal Overload
007	23001105	23003761		Overload Relay LR2D
"	23001108			Relay, Thermal Overload
"	23002101	23003757		Overload Relay 5.5-8A
"	23002105			Relay, Overload
008	23001119	23003762		Mechanical Interlock
009	23002104			Breaker, Circuit
010	23001718			Board, Additional
011	23001518			SERIES 15 - NO LONGER NEEDED

"	NLA	Not Available	FILTER, NET
012	23001102		Contactora
013	NLA	Not Available	CONDENSOR
014	23002048		Cushion, Self-Adhesive
015	23001720		Binder, Cable
016	NLA	Not Available	LABEL, EARTH
017	23001461		Rivets, Blind
018	23001361		Bolt
019	23001056		Ring, Shaft Locking
020	23002103		Trough, Cable
021	23001609	23002721	Screw
"	23002111	23001013	Lock Washer External Teeth M4
"	23002129		Washer
022	23001157		Bolt
"	23001643	23002424	Washer M6.4
"	23001734	23002425	Locker Washer M6
023	NLA	Not Available	LABELS, DESCRIPTION

