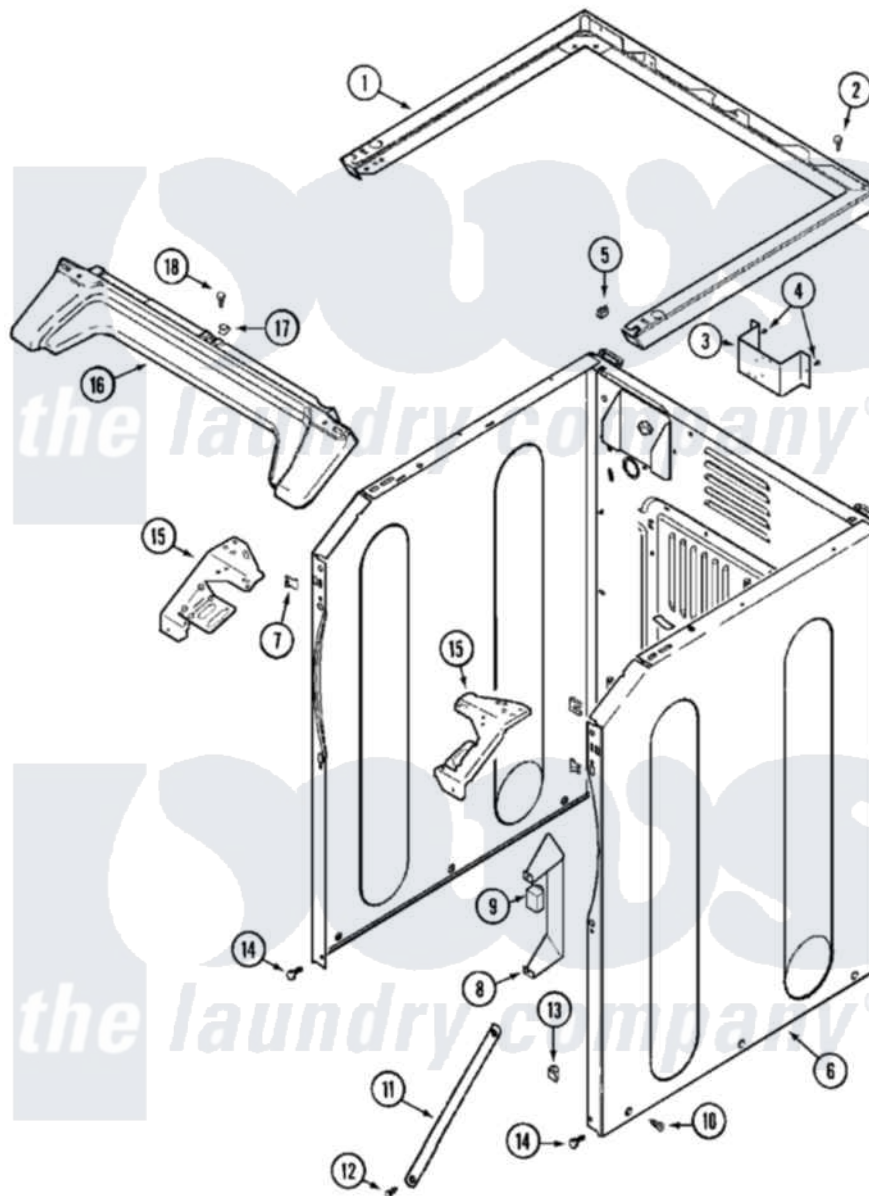


# Maytag MHG15PDAWA 03 - CABINET-FRONT (LOWER)



Maytag Commercial Maytag MHG15PDAWA Dryer Parts Parts Diagram 03 - CABINET-FRONT (LOWER)  
 Click on the part number to view part

| Item | Original Part Number     | Replaced By               | Status        | Part Description                            |
|------|--------------------------|---------------------------|---------------|---|
| 001  | 33002005                 | <a href="#">33002963</a>  |               | Support, Weld Assembly                      |
| "    | NLA                      |                           | Not Available | (ALM)                                       |
| 002  | 22001883                 | <a href="#">214354</a>    |               | Screw, Top Cover To Cabnt.                  |
| 003  | NLA                      |                           | Not Available | BRACKET, TERMINAL BLOCK---NA                |
| 004  | <a href="#">22001995</a> |                           |               | Screw Note: Screw, Tumbler Front And Shroud |
| 005  | <a href="#">22001502</a> |                           |               | Fastener, U-NUt                             |
| 006  | NLA                      |                           | Not Available | CABINET (WHT)                               |
| 007  | <a href="#">22002049</a> |                           |               | Clip Note: Clip, Front Panel                |
| 008  | <a href="#">Y313561</a>  |                           |               | Screw---NA                                  |
| "    | <a href="#">314627</a>   |                           |               | Bracket, Relays                             |
| "    | Y310632                  | <a href="#">1163839</a>   |               | Screw                                       |
| 009  | 206824                   | <a href="#">W10133335</a> |               | Relay, Motor                                |
| "    | Y251119                  | <a href="#">3177991</a>   |               | Screw                                       |
| 010  | <a href="#">213007</a>   |                           |               | Xfor Cabinet See Cabinet, Back              |

|     |                          |                          |   |
|-----|--------------------------|--------------------------|---|
| 011 | 22002259                 | <a href="#">22002767</a> | Brace, Cross                                |
| 012 | <a href="#">22001995</a> |                          | Screw Note: Screw, Tumbler Front And Shroud |
| 013 | <a href="#">Y310376</a>  |                          | Clip, Door Switch Harness                   |
| 014 | <a href="#">22001995</a> |                          | Screw Note: Screw, Tumbler Front And Shroud |
| 015 | <a href="#">33002009</a> |                          | Bracket, Corner                             |
| "   | 33002010                 | <a href="#">33002473</a> | Bracket, Corner                             |
| 016 | <a href="#">33002011</a> |                          | Cover, Access                               |
| "   | <a href="#">33002012</a> |                          | Cover, Access                               |
| 017 | <a href="#">33002013</a> |                          | Fastener Clip, Access Cover                 |
| 018 | <a href="#">22001995</a> |                          | Screw Note: Screw, Tumbler Front And Shroud |
| 019 | <a href="#">33002054</a> |                          | Wire Harness, Main                          |
| 020 | <a href="#">33001989</a> |                          | Retainer, Vault Switch                      |

