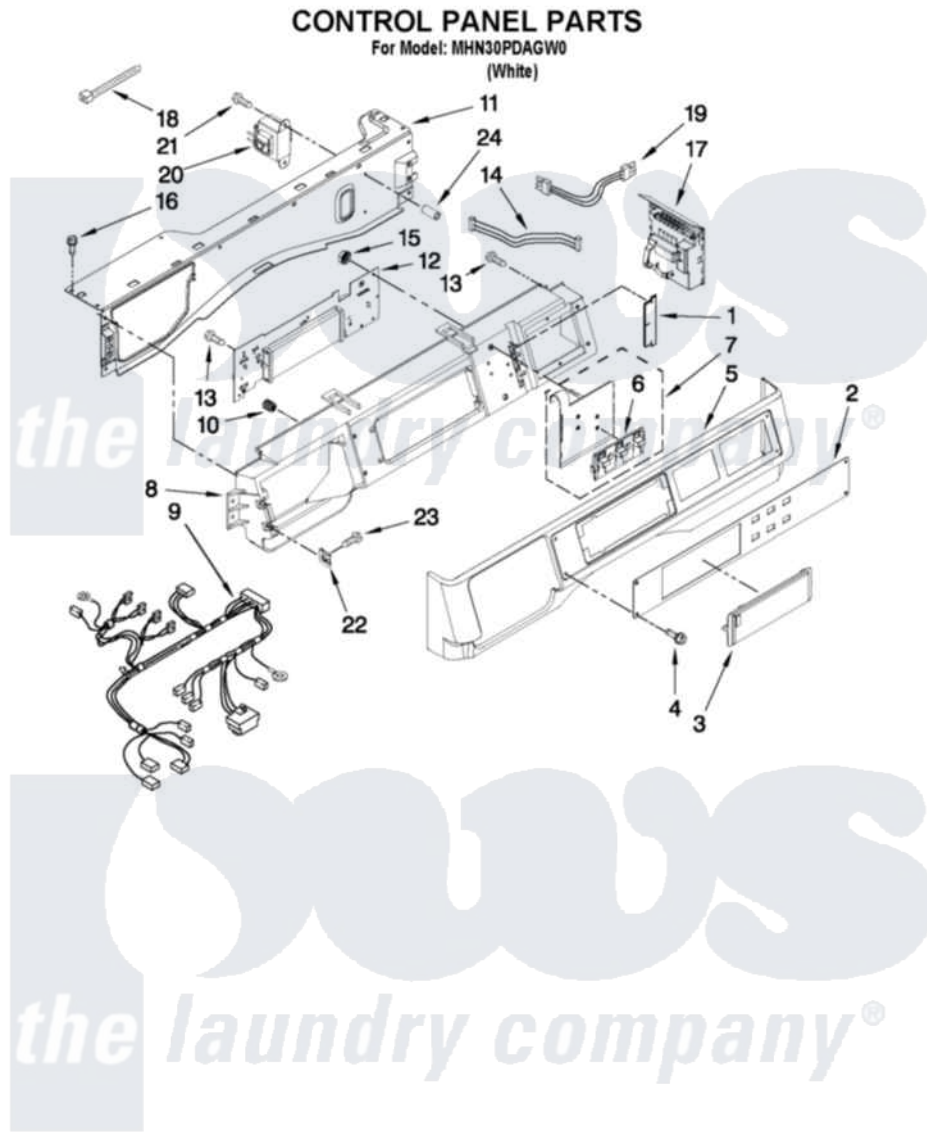


# Maytag MHN30PDAGW0 03 - CONTROL PANEL PARTS



FOR ORDERING INFORMATION REFER TO PARTS PRICE LIST

5

W10340713

Maytag [Commercial Maytag MHN30PDAGW0 Washer Parts](#) Parts Diagram 03 - CONTROL PANEL PARTS  
 Click on the part number to view part

Item	Original Part Number	Replaced By	Status	Part Description
1	<a href="#">W10187276</a>			Seal, Console
2	<a href="#">W10313105</a>			Facia / Overlay
3	<a href="#">W10267645</a>			Cover, Display
4	<a href="#">W10137457</a>			Screw, 8-32 X 3/64
5	<a href="#">W10137458</a>			Console, Outer
6	<a href="#">W10131113</a>			Push Button
7	<a href="#">W10135389</a>			Push Button And Switch Assembly
8	<a href="#">W10137426</a>			Console, Inner
9	<a href="#">W10340888</a>			Harness, Wiring Includes The Following Cable Sets:
NI	<a href="#">W10200793</a>			Coin Drop To CCU
"	<a href="#">W10340897</a>			CCU To Cold Fill Valve
"	<a href="#">W10340898</a>			CCU To Hot Fill Valve
10	<a href="#">W10189313</a>			Inserts
11	<a href="#">W10294428</a>			Bracket, Console
12	<a href="#">W10311189</a>			User Interface

13	<a href="#">489136</a>		Screw, 3-24 X 1/32
14	<a href="#">W10155150</a>		Harness, Test
15	<a href="#">W10139046</a>		Nut 6-32
16	W10015090	<a href="#">489442</a>	Screw 3 2217757 Roller, Front
17	W10340566	<a href="#">W10475429</a>	Microcomputer, Machine Control
18	3429563	<a href="#">2205813</a>	Strap
19	<a href="#">W10330606</a>		Harness, Wiring
20	<a href="#">W10205520</a>		Transformer, 120 To 22.5
21	<a href="#">8540329</a>		Screw, 8-18 X 7/16
22	<a href="#">9781235</a>		NUt, U-Type
23	<a href="#">W10131119</a>		Screw, 8-18 X 5/16
24	<a href="#">W10018050</a>		Caplug

*the laundry company*<sup>®</sup>

*the laundry company*<sup>®</sup>

*the laundry company*<sup>®</sup>