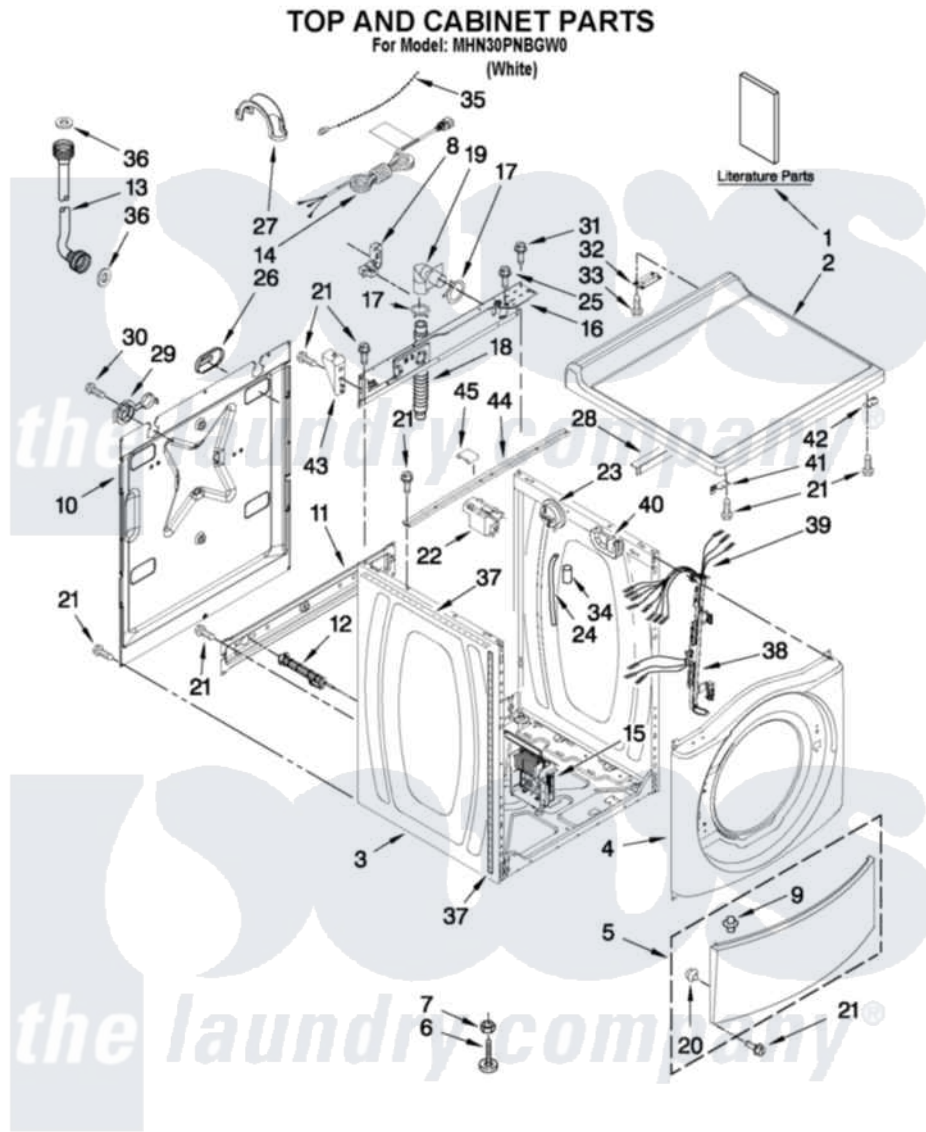


Maytag MHN30PNBGW0 01 - TOP AND CABINET PARTS



FOR ORDERING INFORMATION REFER TO PARTS PRICE LIST

W10487501

2

Maytag [Commercial Maytag MHN30PNBGW0 Washer Parts](#) Parts Diagram 01 - TOP AND CABINET PARTS
Click on the part number to view part

Item	Original Part Number	Replaced By	Status	Part Description
1	W10487509		Not Available	INSTALLATION INSTRUCTIONS
"	W10491134		Not Available	USER INSTRUCTIONS
"	W10491131		Not Available	TECH SHEET (ENGLISH)
"	W10491133		Not Available	TECH SHEET (FRENCH)
"	W10487501		Not Available	REPAIR PARTS LIST
2	W10137410			Top
3	W10225458			Cabinet
4	W10306505			Panel, Front
5	8540664			Toe Panel
6	W10245373			Foot, Leveling
7	3359452			Nut, Lock
8	W10110676	8182635		Strain Relief
9	8518891			Rivet
10	W10258342			Panel, Rear
11	W10189659			Brace, Transport
12	W10251449	W10285622		Bolt

13	W10276793		Hose, Water Inlet
"	W10276795		Hose, Water Inlet
14	W10045597		Cord, Power
NI	N/P	Not Available	PARTS NOT SHOWN
"	W10153836		10A Cord Lock
"	W10223804		10A Cord, Adapters
"	W10223807		10A Cord Adapters
"	W10223809		10A Cord Adapters
15	W10385821		Motor Control Unit
16	W10244560		Brace, Rear
17	356138		Clamp, Hose
18	W10106460		Hose, Drain-Outer
19	W10003260	8181738	Connector, Hose Outlet
20	238614		Bumper And Isolation
21	W10015090	489442	Screw 3 2217757 Roller, Front
22	W10398805	W10482093	Filter
23	W10292407		Switch, Pressure
24	8540294		Hose, Pressure Switch
25	8540479		Screw, Grounding
26	8540268		Cover, Transport
27	8577378		U-Bend, Drain Hose
28	W10342663	Not Available	ANGLE, SUPPORT TOP
29	8540728	8182699	Grommet, Cord Support
30	8540727	8182201	Screw, 3 X 8 mm
31	8540329		Screw, 8-18 X 7/16
32	8565018		Assembly, Hinge And Pin
33	342055	488627	Screw
34	2161302	2162499	Sleeve, Suction Line
35	3347868	W10339879	Tie, Cable
36	3976300	16123	Washer Inlet-Hose Miscellaneous Parts Must be Ordered Separately.
37	8318396		Foam-Seal
38	W10168546		Harness Channel, Side Front
39	W10475277	Not Available	HARNESS, WIRING (LOWER MAIN) INCLUDES ITEM 38
NI	N/P	Not Available	THE FOLLOWING CABLE SETS: (NOT ILLUSTRATED)
"	W10480265	Not Available	CCU TO MCU - POWER (2 POLE)
"	W10330605		CCU To MCU-Serial Communication
"	W10200775		Door Lock-Power
40	8540643		Bracket, Spring
41	W10137445		Bracket - Top Panel, Left
42	W10137444		Bracket - Top Panel, Right
43	W10137398		Stop, Top Panel
44	8540721		Brace, Top
45	8283273		Damper, Brace