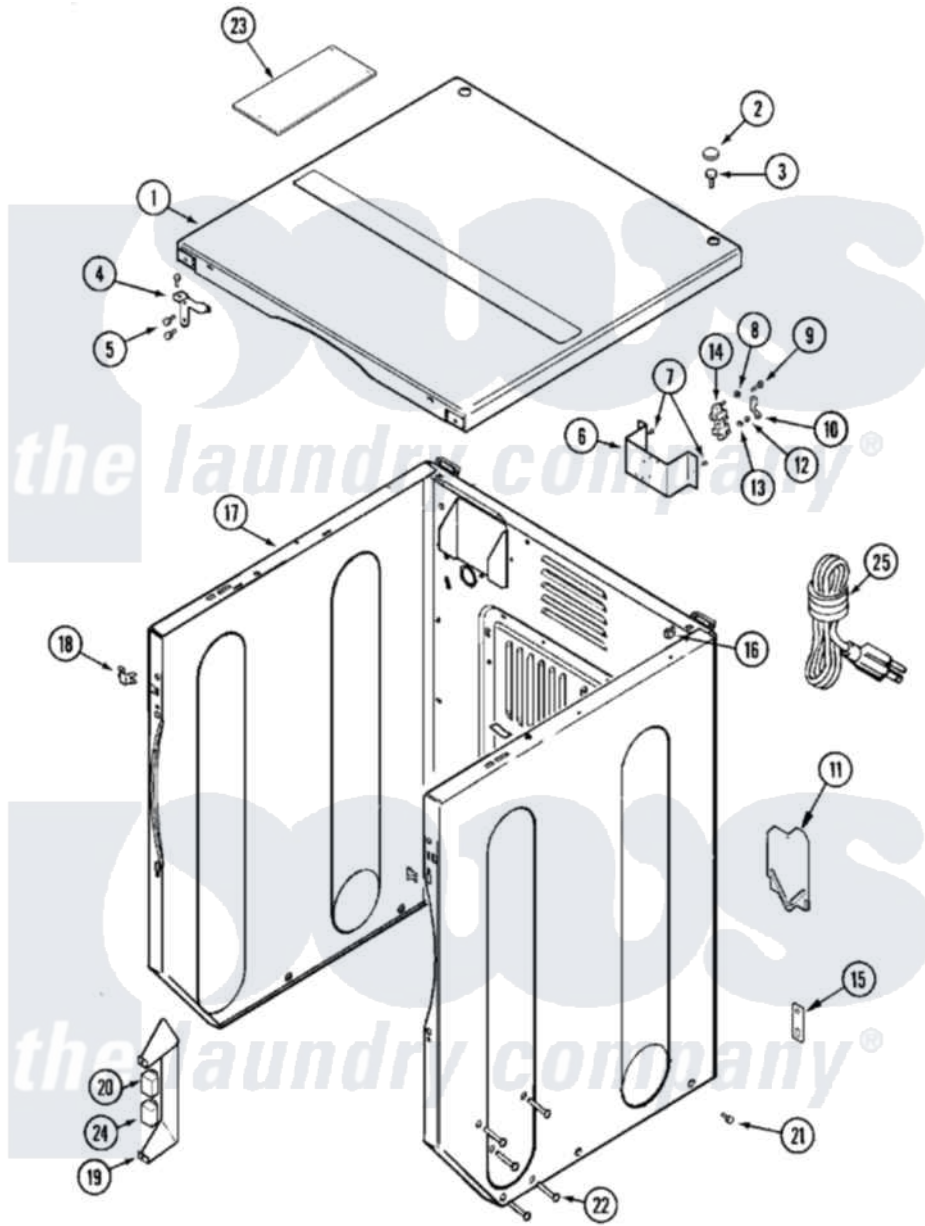


# Maytag MLE19PDAGW 14 - CABINET-FRONT (DRYER)



Maytag Commercial Maytag MLE19PDAGW Dryer Parts Parts Diagram 14 - CABINET-FRONT (DRYER)  
 Click on the part number to view part

Item	Original Part Number	Replaced By	Status	Part Description
001	33001995	<a href="#">33002124</a>		Cover, Top
002	<a href="#">33001997</a>			Plug, Hole
003	22001883	<a href="#">214354</a>		Screw, Top Cover To Cabnt.
004	<a href="#">33001998</a>			Bracket, Top Cover
"	<a href="#">33001999</a>			Bracket, Top Cover
005	<a href="#">22001995</a>			Screw Note: Screw, Tumbler Front And Shroud
006	NLA		Not Available	BRACKET, TERMINAL BLOCK---NA
007	<a href="#">22001995</a>			Screw Note: Screw, Tumbler Front And Shroud
008	<a href="#">Y311270</a>			Washer, Terminal Block
009	<a href="#">Y312209</a>	<a href="#">W10001200</a>		Screw
010	<a href="#">Y312184</a>			Strap, Grounding
011	<a href="#">33001795</a>			Cover, Terminal Block
012	<a href="#">311484</a>	<a href="#">112432</a>		Nut
013	<a href="#">311093</a>			Washer, Terminal Connection

014	<a href="#">33001244</a>		Block, Terminal
015	<a href="#">33002060</a>		Bracket, Security
016	<a href="#">22001502</a>		Fastener, U-NUT
017	<a href="#">22003646</a>		Cabinet Assembly-Upr
"	<a href="#">33002811</a>		Cabinet Upper As Pack--NA
"	NLA	Not Available	CABINET (WHT)
018	<a href="#">33001980</a>		Fastener, Access Panel
019	<a href="#">314627</a>		Bracket, Relays
"	Y251119	<a href="#">3177991</a>	Screw
020	<a href="#">306398</a>		Relay, Heater
"	Y251119	<a href="#">3177991</a>	Screw
021	<a href="#">213007</a>		Xfor Cabinet See Cabinet, Back
022	<a href="#">33001991</a>		Bolt, Carriage
023	<a href="#">22001995</a>		Screw Note: Screw, Tumbler Front And Shroud
"	<a href="#">Y314174</a>		Terminal Cover - Canada
024	206824	<a href="#">W10133335</a>	Relay, Motor
025	<a href="#">216183</a>		Grommet, Cord Export
"	22002532	<a href="#">216183</a>	Grommet, Cord Export
"	33002511	Not Available	CORD, POWER
"	33002514	Not Available	CORD, POWER
"	33002515	Not Available	CORD, POWER

