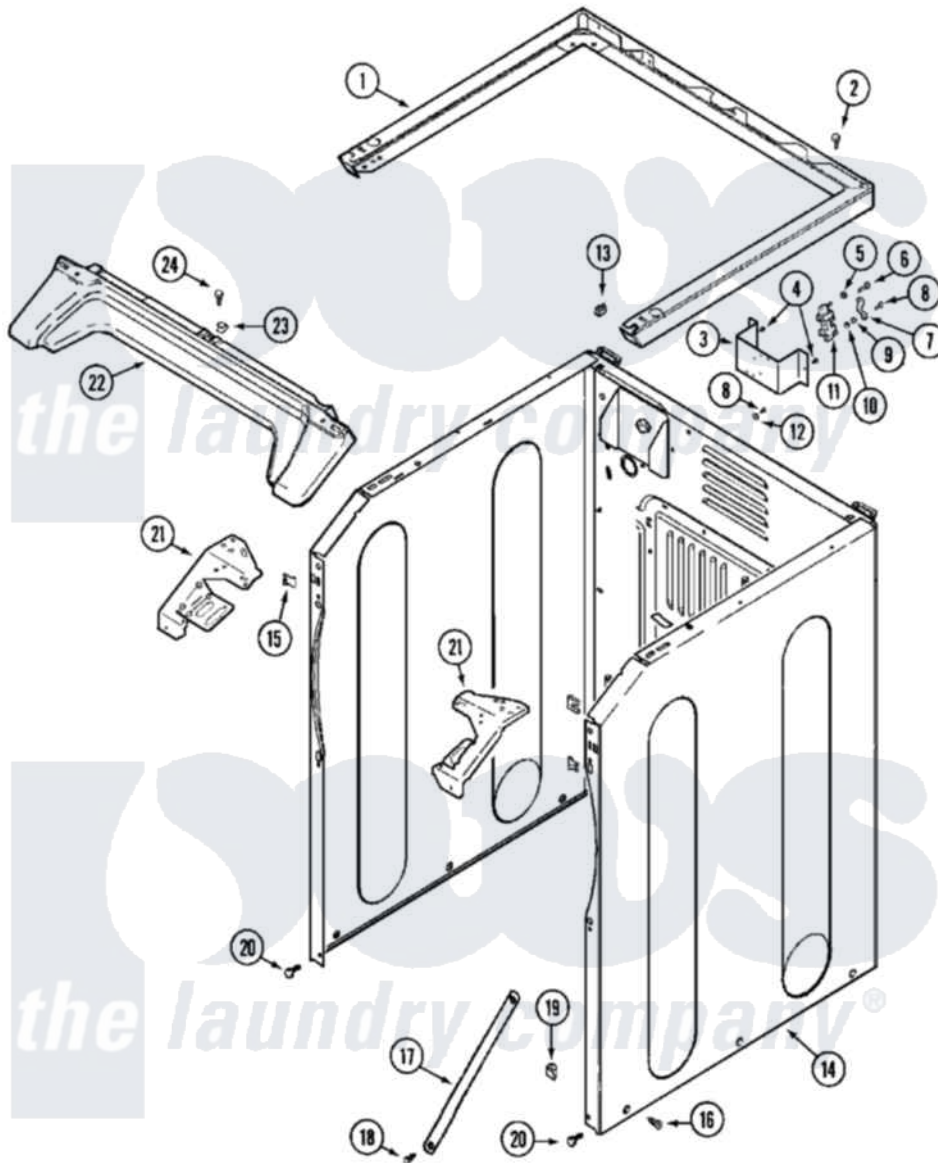


# Maytag MLE23MNAYW 03 - CABINET-FRONT (LOWER)



Maytag Commercial Maytag MLE23MNAYW Dryer Parts Parts Diagram 03 - CABINET-FRONT (LOWER)  
 Click on the part number to view part

Item	Original Part Number	Replaced By	Status	Part Description
001	33002005	<a href="#">33002963</a>		Support, Weld Assembly
002	22001883	<a href="#">214354</a>		Screw, Top Cover To Cabnt.
003	NLA		Not Available	BRACKET, TERMINAL BLOCK---NA
004	<a href="#">22001995</a>			Screw Note: Screw, Tumbler Front And Shroud
005	<a href="#">Y311270</a>			Washer, Terminal Block
006	<a href="#">Y312209</a>	<a href="#">W10001200</a>		Screw
007	<a href="#">Y312184</a>			Strap, Grounding
008	NLA		Not Available	SCREW, GROUND STRAP
009	<a href="#">311484</a>	<a href="#">112432</a>		Nut
010	<a href="#">311093</a>			Washer, Terminal Connection
011	<a href="#">33001244</a>			Block, Terminal
012	NLA		Not Available	WASHER, GROUND LUG
013	<a href="#">22001502</a>			Fastener, U-NUt
014	<a href="#">22003639</a>			Cabinet Assembly
"	<a href="#">33002626</a>			Cabinet, Assembly

"	NLA	Not Available	CABINET (WHT)
015	<a href="#">22002049</a>		Clip Note: Clip, Front Panel
016	<a href="#">213007</a>		Xfor Cabinet See Cabinet, Back
"	22003409	<a href="#">213007</a>	Xfor Cabinet See Cabinet, Back
017	22002259	<a href="#">22002767</a>	Brace, Cross
018	<a href="#">22001995</a>		Screw Note: Screw, Tumbler Front And Shroud
019	<a href="#">Y310376</a>		Clip, Door Switch Harness
020	<a href="#">22001995</a>		Screw Note: Screw, Tumbler Front And Shroud
021	<a href="#">33002009</a>		Bracket, Corner
"	33002010	<a href="#">33002473</a>	Bracket, Corner
"	33002095	<a href="#">33002474</a>	Bracket, Corner
"	<a href="#">33002096</a>		Bracket, Corner
022	<a href="#">33002011</a>		Cover, Access
023	<a href="#">33002013</a>		Fastener Clip, Access Cover
024	<a href="#">22001995</a>		Screw Note: Screw, Tumbler Front And Shroud
025	<a href="#">33002078</a>		Wire Harness, Main
"	NLA	Not Available	WIRE HARNESS, MAIN (LWR)
026	<a href="#">33001989</a>		Retainer, Vault Switch

