

# Maytag MLE23PDFYW 14 - WIRING INFORMATION(ELEC)

## Diagnostic Mode:

This mode is normally accessed by pressing the **LAUNDRY SIGNAL** button on the control panel for 1 second while in any of the dryer modes. Once through this sequence a diagnostic code is present, or which, **CLAS** displays if operating with Maytag Data Assistant panel.

One step to diagnostic mode the settings display will flash, and certain test screens will be cleared, and diagnostic codes are cleared. If a diagnostic code persists on either of the machines, the fault must be corrected before the following cycle options are permitted.

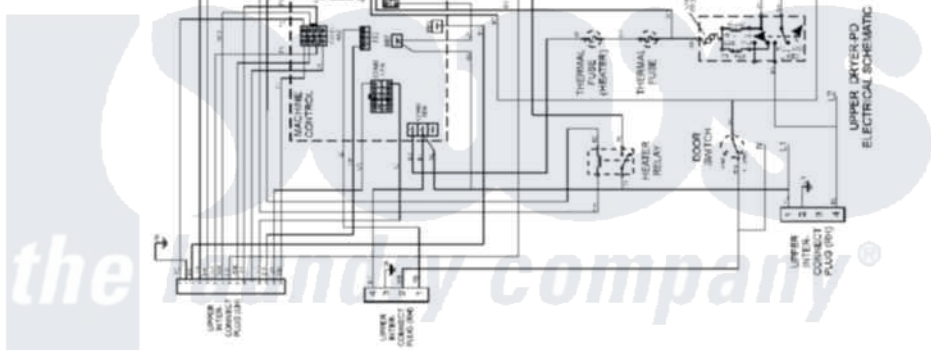
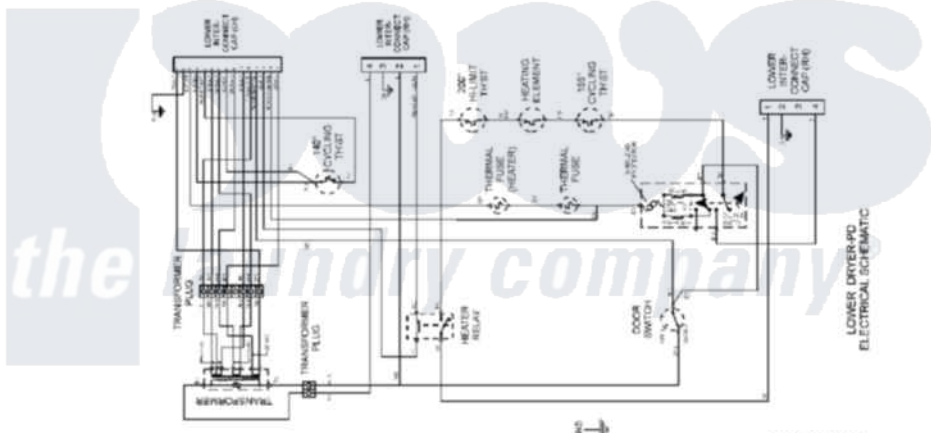
Procedures to initiate cycle activity from diagnostic mode are as follows:

1. **Upper Dryer Field Diagnostic Cycle** - With the control panel in diagnostic mode, press the **PERMANENT PRESS** key pad. This cycle consists of seven minutes of heat and six minutes of cool down. The **UPPER DRYER** **WHITES & COLORS** key pad will increase the diagnostic cycle minutes up to 180 minutes. The **UPPER DRYER** **DRYER DELICATES** key pad will cancel this cycle and exit the diagnostic mode.
2. **Lower Dryer Field Diagnostic Cycle** - With the control panel flashing, this cycle is entered by pressing the **LOWER DRYER**

## Diagnostic Codes:

If the set up results in control and one of the diagnostic codes are present, the appropriate diagnostic code will be on the display.

- #1 - Upper dryer door sensor error (no contact) based on data to power the microswitch (upper dryer door sensor) is not present. (No diagnostic code is normally cleared).
- #2 - Lower dryer door sensor error (no contact) based on data to power the microswitch (lower dryer door sensor) is not present. (No diagnostic code is normally cleared).
- #3 - Blocked coils (air must change cleared) (for reference: recognition and error display (disabled) while blockage persists).
- #4 - Voltage detected (check power for 8 seconds) (for reference: recognition and error display (disabled) based on data to power line indicator (lower dryer cycles and lower dryer display disabled) (no diagnostic code is normally cleared).
- #5 - Diagnostic code is normally cleared (for reference: recognition and error display (disabled) while blockage persists).
- #6 - Upper dryer motor sensor error (no contact) based on data to power the microswitch (upper dryer motor sensor) is not present. (No diagnostic code is normally cleared).
- #7 - No incoming communication from microswitch (door and motor) is indicated (0 temperature 2) (No diagnostic code is normally cleared).
- #8 - Lower dryer door sensor error (no contact) based on data to power the microswitch (lower dryer door sensor) is not present. (No diagnostic code is normally cleared).
- #9 - Upper dryer door sensor error (no contact) based on data to power the microswitch (upper dryer door sensor) is not present. (No diagnostic code is normally cleared).



6 3720380

Maytag Commercial Maytag MLE23PDFYW Dryer Parts Parts Diagram 14 - WIRING INFORMATION(ELEC)  
 Click on the part number to view part

Item	Original Part Number	Replaced By	Status	Part Description
001	NLA		Not Available	WIRING INFORMATION

