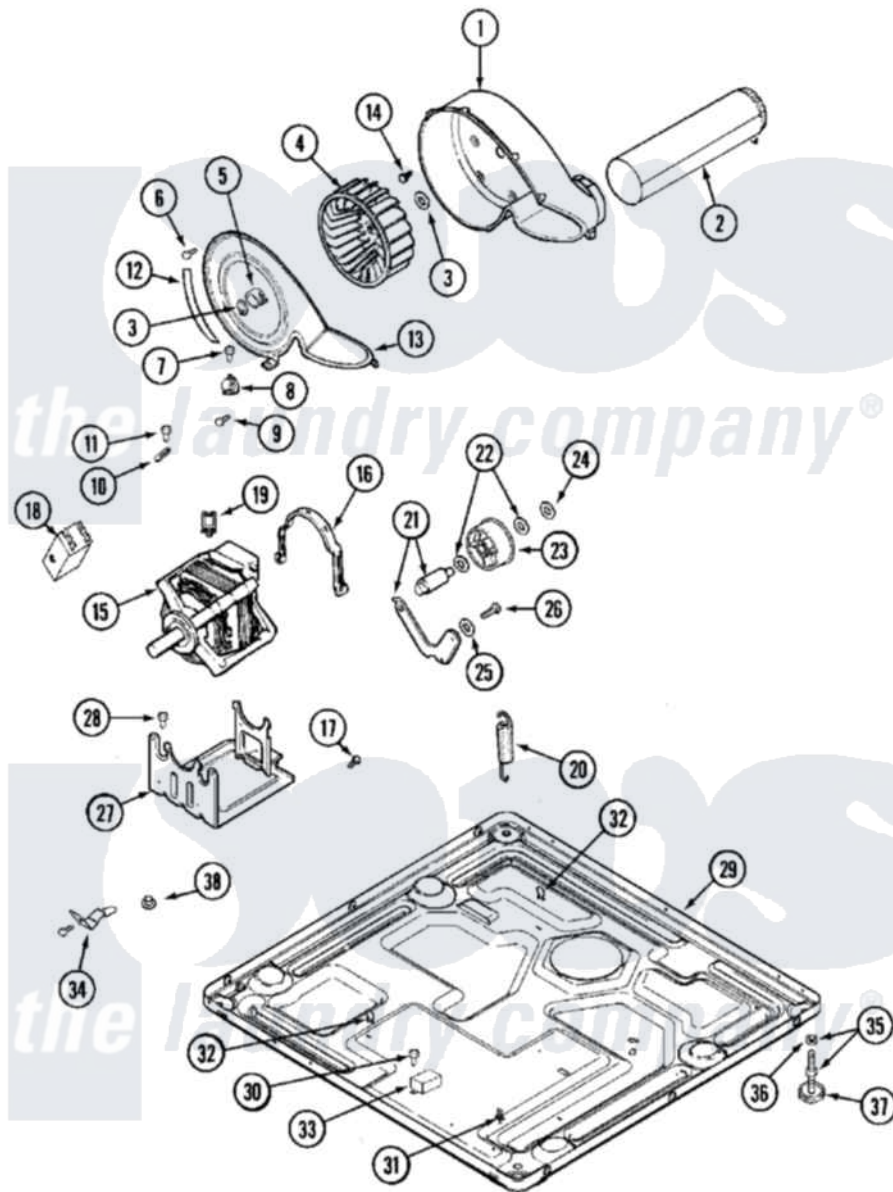


Maytag MLG15PDAWA 10 - MOTOR DRIVE



Maytag Commercial Maytag MLG15PDAWA Dryer Parts Parts Diagram 10 - MOTOR DRIVE
 Click on the part number to view part

Item	Original Part Number	Replaced By	Status	Part Description
001	33001789			Housing, Blower
002	22001995			Screw Note: Screw, Tumbler Front And Shroud
"	33001800			Duct Assembly, Exhaust
003	410233	9703438		Ring-Retrn
004	33001790			Wheel, Blower
005	312967			Clamp, Blower Housing
006	33001855	33002917		Screw, No.10-16
007	Y313561			Screw---NA
008	307208			Thermistor, Temp. Control
"	33303391			Thermostat, Cycling
009	22001996	3370225		Screw
010	33001762			Fuse, Thermal
011	NLA		Not Available	SCREW, THERMAL CUT-OFF
012	NLA		Not Available	SEAL, BLOWER COVER
013	33001796	33002711		Cover, Blower Housing
014	314818	1163839		Screw

015	33001853	33002478	Motor
"	33002462	33002478	Motor
"	33002478		Motor
016	Y015825		Clip, Motor To Motor Support
017	910343	488234	Screw 8-32 X 1/4
018	33001854	33002478	Motor
019	33002040	74006784	Clip, Harness
020	33001754	33002459	Assembly, Spring And Plug
"	33002157		Grommet
"	33002460	33002459	Assembly, Spring And Plug
"	33002461		Plug For Spring
021	33001840	6-3705180	Idler Arm
022	Y312527		Washer, Idler Shaft
023	33001783	6-3700340	Bearing- I
024	312958	354987	Ring, Retaining
025	315772		Sleeve, Idler Arm
026	Y014874		Screw, Idler Arm And Sleeve
027	Y313561		Screw----NA
"	33001752	33002817	Motor Support, Offset
"	33002466	33002817	Motor Support, Offset
028	Y313561		Screw----NA
029	314568	Y313559	Screw
"	33002041	33002467	Base
"	33002048		Fastener, Push
"	33002049	302797	Grommet
"	33002050		Protector, Harness
"	33002467		Base
"	NLA	Not Available	BASE (LWR)
030	211294	90767	Screw, 8A X 3/8 HeX Washer Head Tapping
031	315471	22003298	Retainer, Wire
032	410490		Spring, Retainer Wire Harness
033	315218		Shield, Transformer
"	33001205		Transformer
"	Y313559		Screw
034	22001995		Screw Note: Screw, Tumbler Front And Shroud
"	22002239		Clip, Front Panel
"	22002244		Clip, Grounding
"	33002042	33002758	Bracket, LH, Base To Support
"	33002043	33002757	Bracket, RH, Base To Support
"	Y310632	1163839	Screw
035	22001915	22003544	Adjustable Leg W/Foot And Nut
036	Y052740	62739	Nut, Lock
037	210684		Foot, Adjustable Leg
038	33002044		Guide