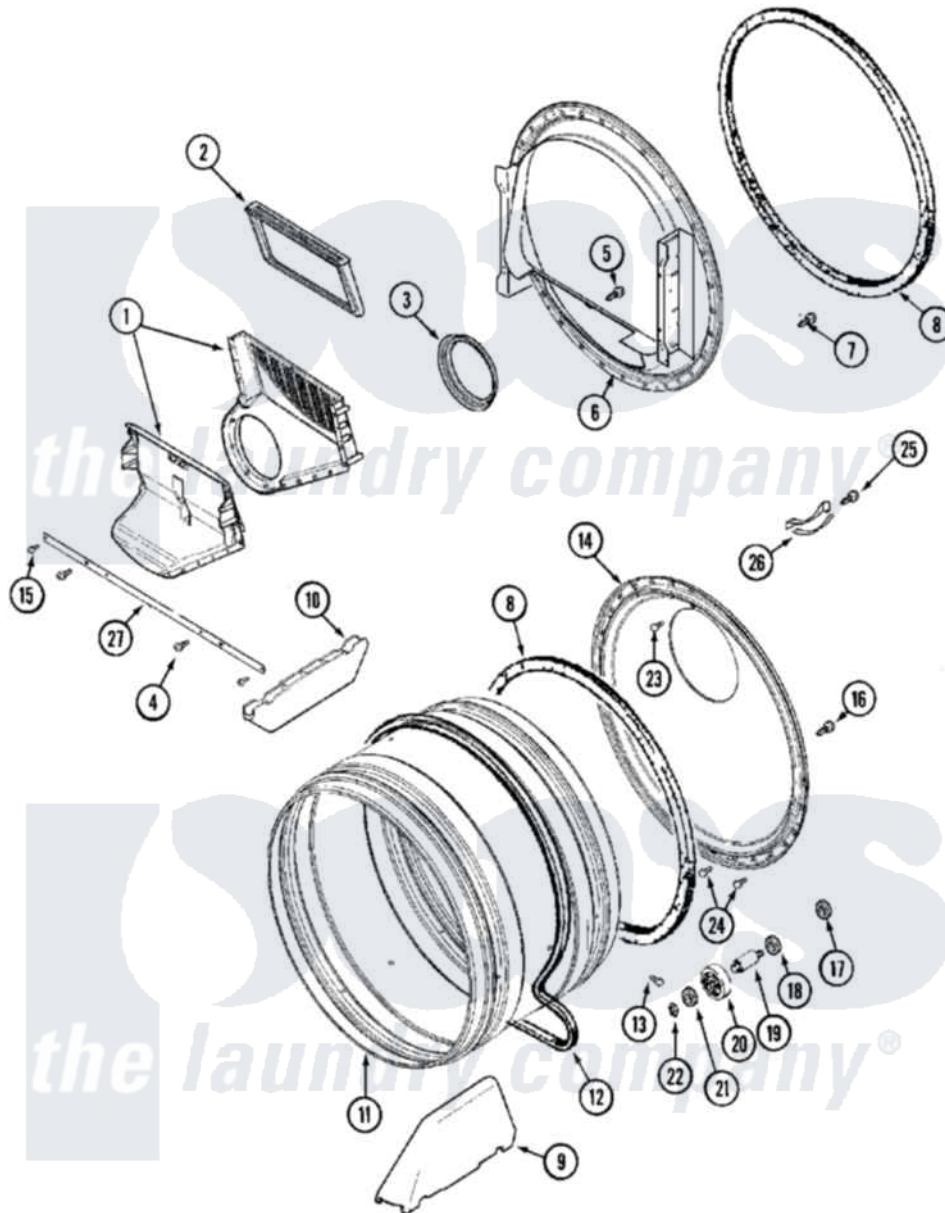


Maytag MLG15PDAWQ 08 - TUMBLER



Maytag [Commercial Maytag MLG15PDAWQ Dryer Parts](#) Parts Diagram 08 - TUMBLER
 Click on the part number to view part

| Item | Original Part Number | Replaced By | Status | Part Description |
|------|--------------------------|--------------------------|---------------|--|
| 001 | 33001799 | | | Outlet Duct Assembly Note: Outlet Duct Assembly |
| 002 | 33001804 | 33002790 | | Lint Filter |
| 003 | 33001758 | 33002560 | | Seal, Blower |
| 004 | 33001768 | | | Screw, Shroud Note: Screw, Shroud And Outlet Duct |
| 005 | NLA | | Not Available | SCREW, OUTLET DUCT |
| 006 | 33001802 | | | Front, Tumbler |
| 007 | 33001855 | 33002917 | | Screw, No.10-16 |
| 008 | 33001807 | | | Seal, Tumbler |
| 009 | 33002032 | | | Baffle |
| 010 | 33001755 | | | Baffle |
| 011 | 33001794 | 33001889 | | Tumbler |
| 012 | 33001777 | 33002535 | | V-Belt |
| 013 | 33001788 | 33002973 | | Screw, No.9-15 X 1.00 Hx WS |
| 014 | 33001801 | | | Back, Tumbler |
| 015 | 33001805 | | | Screw Note: Screw, Tumbler |

015

[22001995](#)

Front And Shroud

016

[22001995](#)

Screw Note: Screw, Tumbler
Front And Shroud

017

[33001443](#)

Nut, Hex

018

Y313347

[312535](#)

Washer, Vault Mounting Brk.

019

Y312948

[6-3129480](#)

Shaft- Tumbler

020

Y303373

[12001541](#)

Drum Roller/Washer
Assembly--W

021

[312535](#)

Washer, Vault Mounting Brk.

022

410233

[9703438](#)

Ring-Retrn

023

[210932](#)

Screw, No.8 X 9/16 Ctsk Note:
Screw, Inlet Duct

024

22001996

[3370225](#)

Screw

025

[210720](#)

Rivet, Bearing To Tumbler Fmt

026

[306508](#)

Tumbler Bearing Kit ---W

027

[33002039](#)

Brace, Tumbler Front

