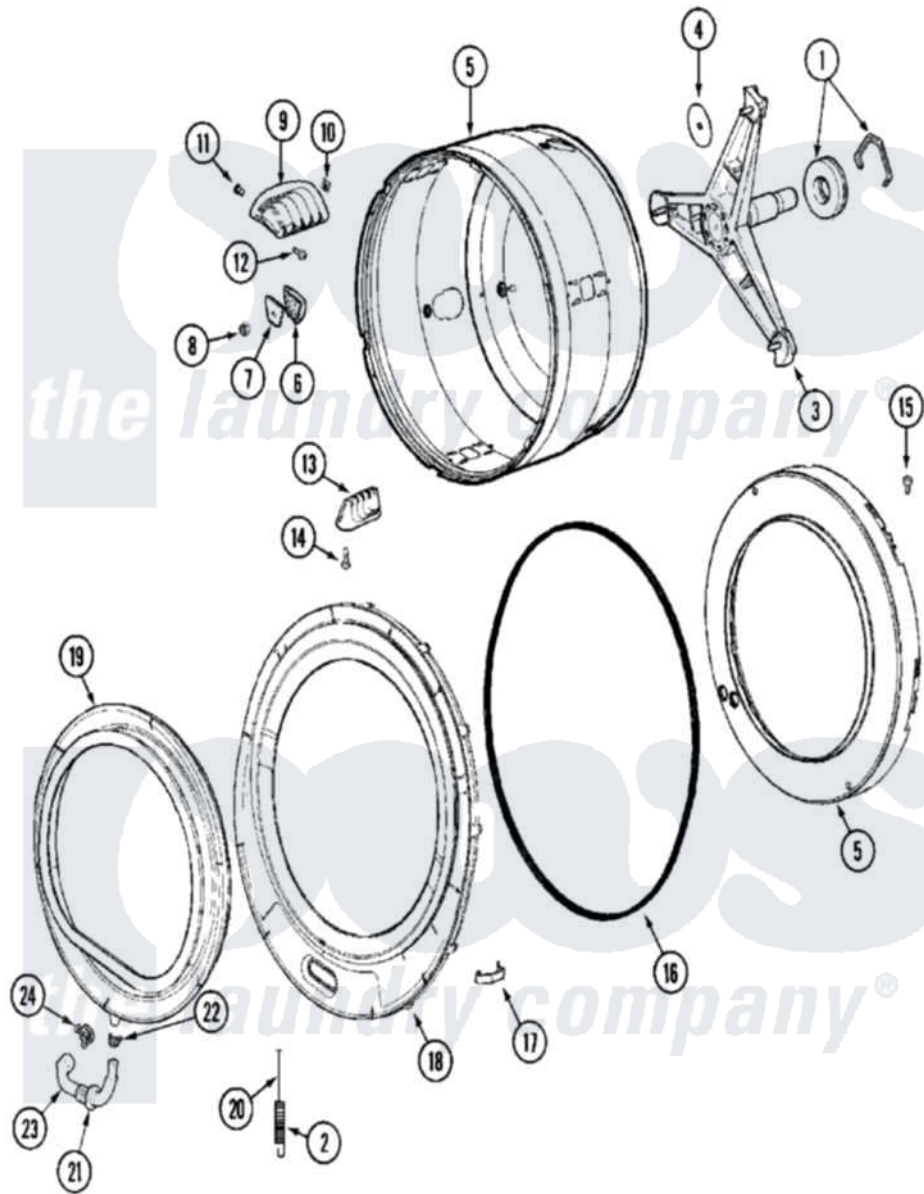


Maytag MLG19PDAGW 12 - SPINNER ASSEMBLY & OUTER TUB COVER(WASH)



Maytag Commercial Maytag MLG19PDAGW Dryer Parts Parts Diagram 12 - SPINNER ASSEMBLY & OUTER TUB COVER(WASH)

Click on the part number to view part

Item	Original Part Number	Replaced By	Status	Part Description
001	12001478	12002022		Lip Seal Kit
002	22002099			Spring, Tub
003	22002123			Tube, Molykote
"	22002897	W10181639		Support
"	22003925	W10181639		Support
004	22002023			Washer, Plastic
005	22002115	6-2717080		Spinner As
006	22002021	22002482		Washer, Profile
007	22002020			Washer, Spinner Support
008	22002122	2207454		Nut, Hex
009	22001985			Baffle, Drip
010	22002009			Grommet, Baffle
011	22001999			Grommet, Baffle
012	22002325	22003556		Screw, Baffle
013	22001986			Baffle, Drip

014	22002059		Screw, Baffle
015	22002028	Not Available	PART NEVER USED IN PRODUCTION
"	NLA	Not Available	SCREW, BALANCE RING
016	22002077		Seal, Tub Cover
017	22002050		Clip, Tub To Cover
018	22002979	22003212	Cover, Tub --W
"	22003212		Cover, Tub --W
"	22003257	22003710	Sump Cap W/ Labyrinth Feature
"	22003263		Screw, Sump Cap
"	22004254		Cover, Tub W/Sealandcaps Aspks
"	33002217	22003212	Cover, Tub --W
019	12001772	12002533	Boot Kit
"	22001978	12002533	Boot Kit
020	22002327		Wire, Boot Clamp
021	22003074		Guard, Hose
022	Y22003072	22003072	CLAMP, HOSE DOUBLE WIRE
023	22003071	22004477	Drain Hose, Door Boot
024	22003073	596669	Clamp, Manifold

