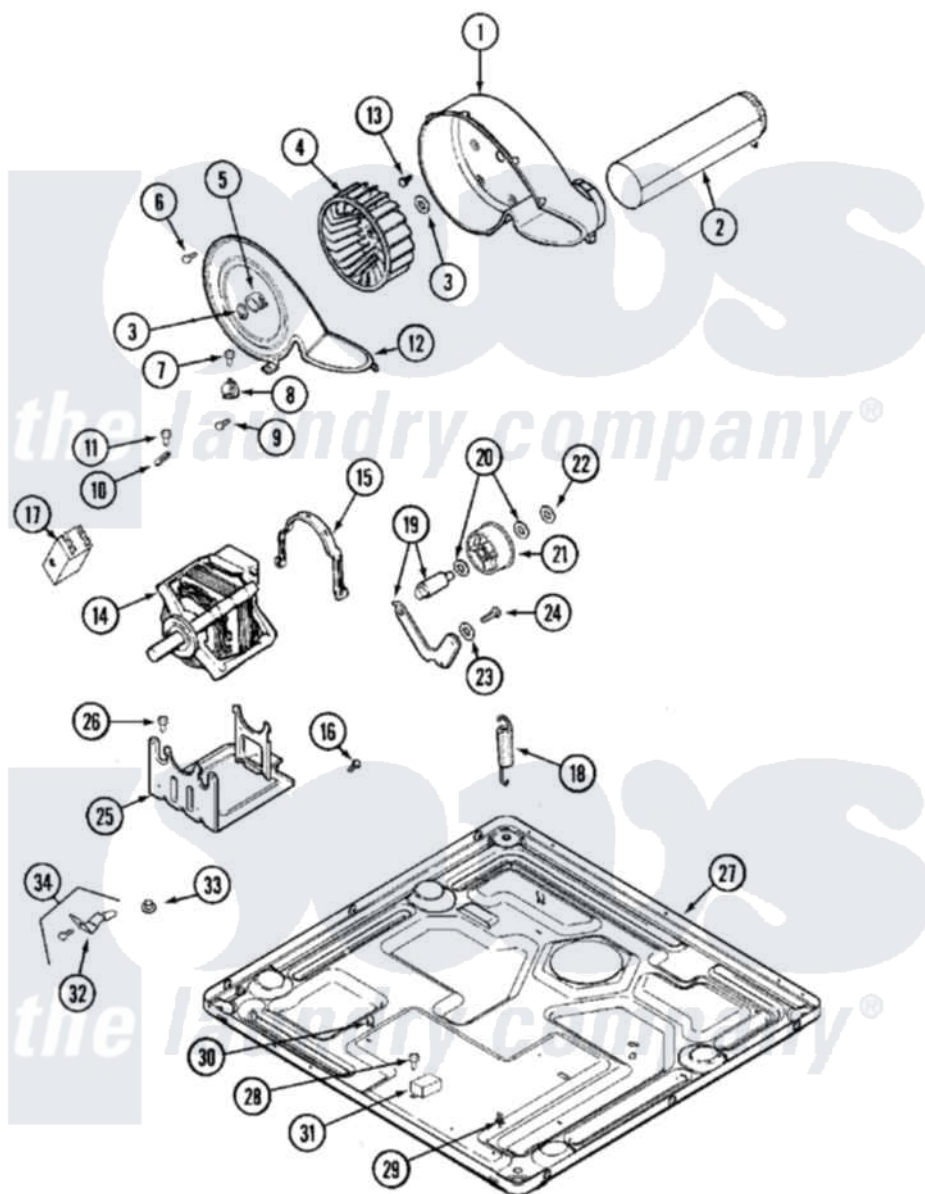


Maytag MLG19PDAWW 13 - MOTOR DRIVE (DRYER)



Maytag Commercial Maytag MLG19PDAWW Dryer Parts Parts Diagram 13 - MOTOR DRIVE (DRYER)
 Click on the part number to view part

Item	Original Part Number	Replaced By	Status	Part Description
001	33001789			Housing, Blower
002	22001995			Screw Note: Screw, Tumbler Front And Shroud
"	33002185			Duct Assembly, Exhaust
003	410233	9703438		Ring-Retrn
004	33001790			Wheel, Blower
"	33002797			Wheel, Blower
005	312967			Clamp, Blower Housing
006	33001855	33002917		Screw, No.10-16
007	Y313561			Screw----NA
008	303392			Thermostat, Cycling
"	33303391			Thermostat, Cycling
009	22001996	3370225		Screw
010	33001762			Fuse, Thermal
011	22001996	3370225		Screw
012	33001796	33002711		Cover, Blower Housing
013	314818	1163839		Screw

014	33001853	33002478	Motor
"	33002237	33002478	Motor
015	33002795		Motor, Drive 60Hz
"	Y015825		Clip, Motor To Motor Support
016	910343	488234	Screw 8-32 X 1/4
017	33001854	33002478	Motor
018	33001754	33002459	Assembly, Spring And Plug
019	33001840	6-3705180	Idler Arm
020	Y312527		Washer, Idler Shaft
021	33001783	6-3700340	Bearing- I
022	312958	354987	Ring, Retaining
023	315772		Sleeve, Idler Arm
024	Y014874		Screw, Idler Arm And Sleeve
025	33001752	33002817	Motor Support, Offset
026	Y313561		Screw----NA
027	22003605		Base Weld Assembly
"	314568	Y313559	Screw
"	33002041	33002467	Base
"	33002049	302797	Grommet
"	33002050		Protector, Harness
"	33002467		Base
"	33002623		Base,
028	22001078	3177991	Screw
029	315471	22003298	Retainer, Wire
030	410490		Spring, Retainer Wire Harness
031	315218		Shield, Transformer
"	33002186	W10133285	Transformer 120V To 22.5vac
032	22001995		Screw Note: Screw, Tumbler Front And Shroud
"	33002042	33002758	Bracket, LH, Base To Support
"	33002043	33002757	Bracket, RH, Base To Support
033	33002044		Guide
034	12001551		Contains RT And LT Brackets
"	NLA	Not Available	BRACKET/SCREW PACKAGE

