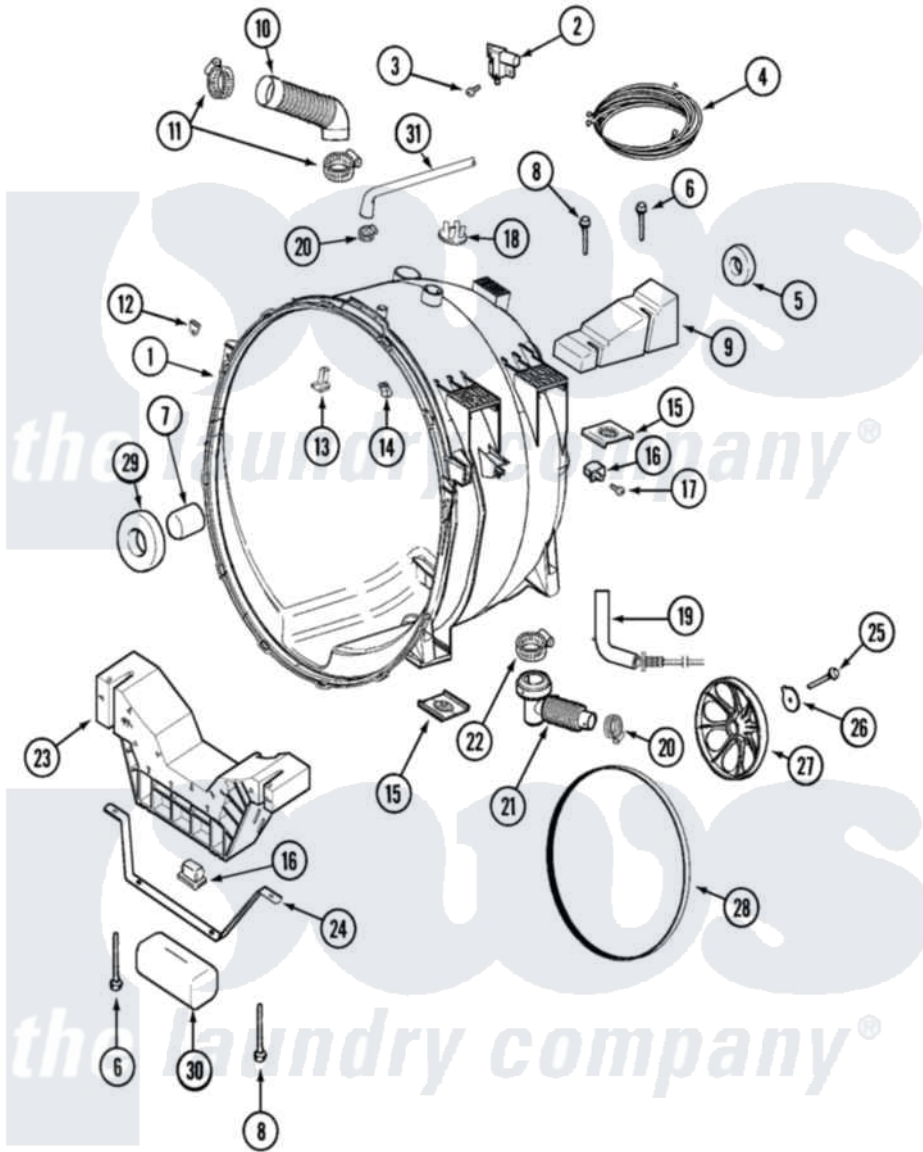


# Maytag MLG19PDBGW 12 - OUTER TUB (WASHER)



Maytag Commercial Maytag MLG19PDBGW Dryer Parts Parts Diagram 12 - OUTER TUB (WASHER)  
 Click on the part number to view part

Item	Original Part Number	Replaced By	Status	Part Description
001	22002154	<a href="#">22004465</a>		Outer Tub Assembly, As Pack
002	<a href="#">22002006</a>			Clip, Unbalance Switch Harness
"	<a href="#">22003302</a>			Switch, Internal Unbalance
003	22002300	<a href="#">9740848</a>		Screw, Mixing Valve Mounting
004	<a href="#">22003820</a>			Wire Harness / Hh / Unbalance
005	<a href="#">22003441</a>			Bearing, Rear
006	<a href="#">22003615</a>			Bolt, Double Sems 5-3/8
007	<a href="#">22002935</a>			Spacer, Bearing
008	<a href="#">22003616</a>			Bolt, Double Sems 3-3/8
009	<a href="#">22002102</a>			Weight, Counter Balance
010	<a href="#">22002083</a>			Hose, Injector
011	22002052	<a href="#">616099</a>		Clamp
012	<a href="#">22002103</a>			Clip, U
013	22002959	<a href="#">22004310</a>		Water Deflector
"	<a href="#">33002222</a>			Deflector, Water
				Clip, Unbalance Switch

014	<a href="#">22002006</a>		Clip, Unbalance Switch Harness
"	22002061	<a href="#">910187</a>	Screw
015	<a href="#">22002065</a>		Nut, Counter Balance
016	<a href="#">22002044</a>		Switch, Tub Displacement
"	22003065	<a href="#">22004093</a>	Unbalance
017	22002061	<a href="#">910187</a>	Screw
018	<a href="#">22002797</a>		Clip, Hose
019	<a href="#">22002483</a>		Hose, Air Dome
020	<a href="#">22001984</a>	<a href="#">285655</a>	Clamp, Hose
021	<a href="#">22003262</a>		Hose, Tub To Pump Outlet
022	22002053	<a href="#">696392</a>	Hose Clamp
023	<a href="#">22002006</a>		Clip, Unbalance Switch Harness
"	22002579	Not Available	WEIGHT ASSEMBLY (FRT)
024	<a href="#">22002008</a>		Strap
025	22002057	<a href="#">22003937</a>	Screw, Retaining Bolt
026	<a href="#">22003936</a>		Washer
027	22001998	<a href="#">22002315</a>	Pulley, Spinner
028	<a href="#">12001788</a>		Kit, Belt And Isolator-W
029	<a href="#">22002934</a>		Bearing, Front
030	22003225	Not Available	CUSHION

