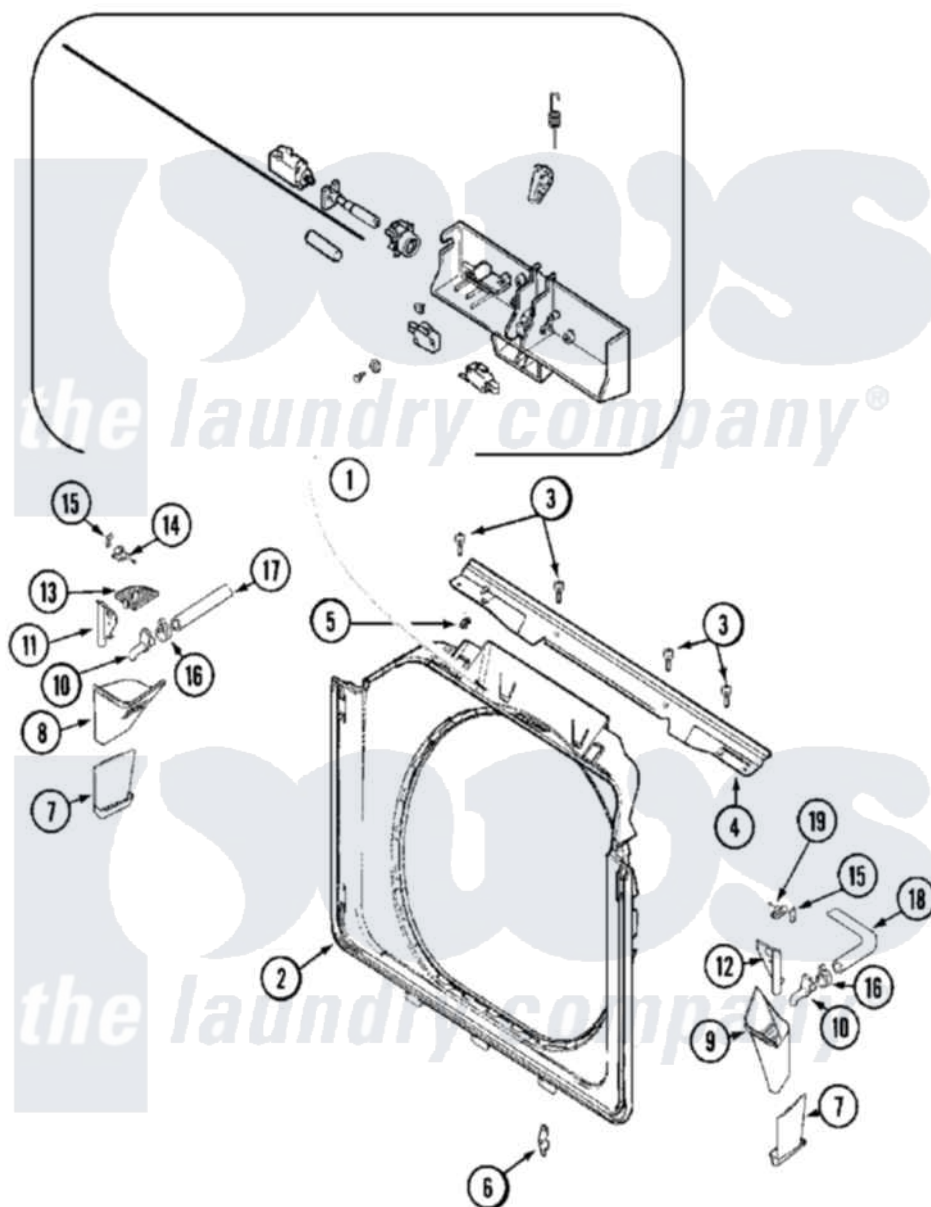


# Maytag MLG19PDCXW 10 - DOOR SHROUD & DOOR LATCH ASSEMBLY (WASH)



Maytag [Commercial Maytag MLG19PDCXW Dryer Parts](#) Parts Diagram 10 - DOOR SHROUD & DOOR LATCH ASSEMBLY (WASH)

[Click on the part number to view part](#)

Item	Original Part Number	Replaced By	Status	Part Description
001	<a href="#">22002957</a>			Cover, Latch Assembly
"	<a href="#">22003908</a>			Vapor Barrier
"	NLA		Not Available	DOOR, LOCK HOOP ASSEMBLY
002	<a href="#">22002506</a>			Shroud And Dispenser Hose
"	<a href="#">22003653</a>			Retainer, Dispenser Hose
003	<a href="#">22001995</a>			Screw Note: Screw, Tumbler Front And Shroud
004	<a href="#">22003908</a>			Vapor Barrier
"	33002202	<a href="#">33002477</a>		Support, Door Lock
"	<a href="#">33002203</a>			Clip, Hose
005	<a href="#">22002014</a>			Clip, Harness To Support
006	22002095	<a href="#">12001994</a>		Cover
"	<a href="#">33001764</a>			Cover, Hinge Hole
"	<a href="#">33001787</a>			Screw, Hinge Note: Screw, Hinge Hole Cover

007	<a href="#">33002195</a>		Grate, Overflow
"	<a href="#">33002196</a>		Grate, Overflow
008	<a href="#">33002197</a>		Cup, Bleach Dispenser
009	<a href="#">33002198</a>		Cup, Fabric Softener Dispenser
010	<a href="#">33002199</a>		Spout, Dispenser Fill
011	<a href="#">33002200</a>		Cap, Bleach Dispenser
012	<a href="#">33002201</a>		Cap, Fabric Softener
013	<a href="#">33002204</a>		Screen, Bleach Cup
014	22002230	<a href="#">400021-1</a>	Screw
"	<a href="#">33002205</a>		Retainer, Bleach Cup
015	<a href="#">33002206</a>		Fastener, J Type
016	205161	<a href="#">489503</a>	Clamp
017	<a href="#">22003653</a>		Retainer, Dispenser Hose
"	<a href="#">33002207</a>		Hose, Bleach
018	<a href="#">33002208</a>		Hose, Fabric Softener
019	22002230	<a href="#">400021-1</a>	Screw
"	<a href="#">22003653</a>		Retainer, Dispenser Hose
"	<a href="#">33002209</a>		Retainer, Fabric Softener
020	22002484	Not Available	LABEL, BLEACH
"	22002485	Not Available	LABEL, FABRIC SOFTENER
"	22002486	Not Available	LABEL, LOADING INSTRUCTIONS
"	22002487	Not Available	LABEL, ADD DETERGENT

