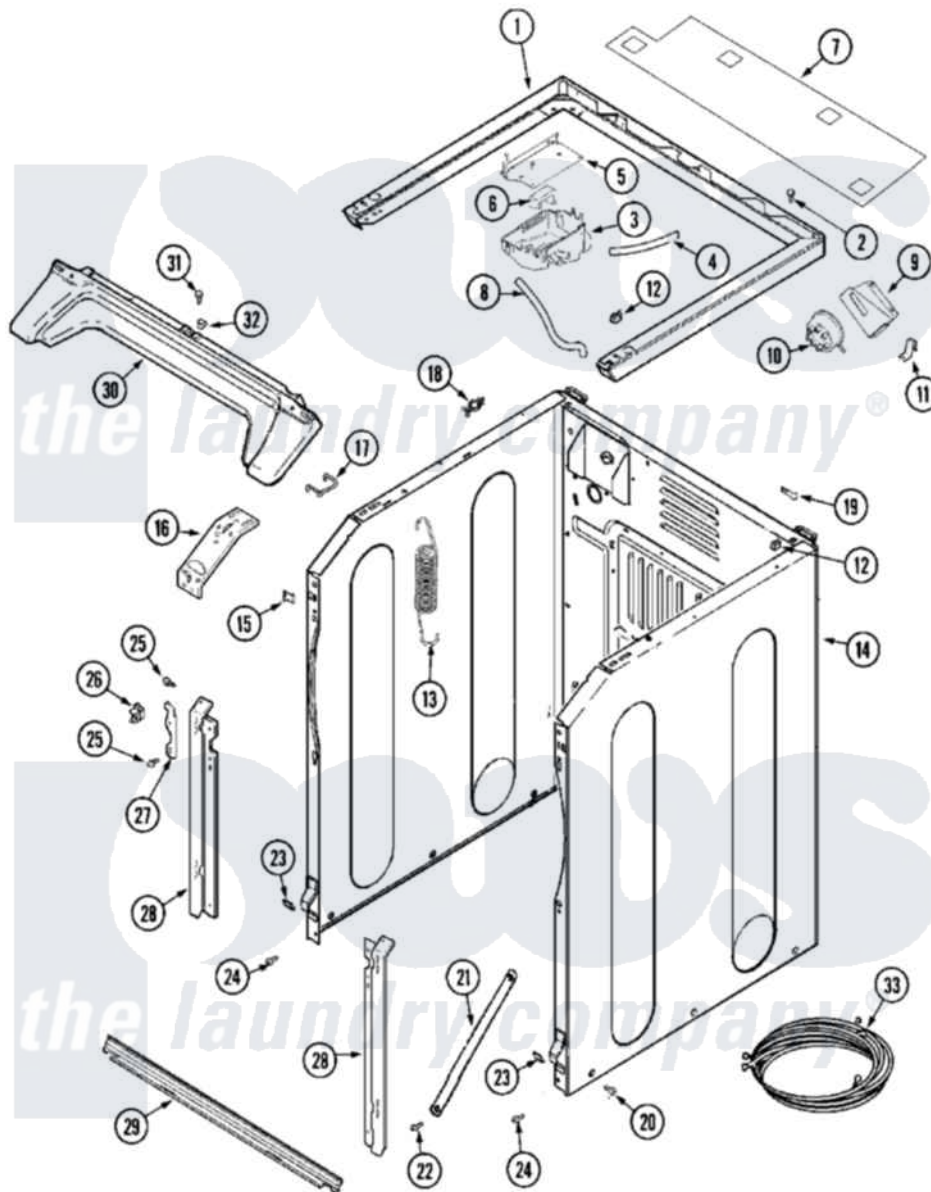


# Maytag MLG19PDSAW 07 - CABINET-FRONT (WASHER)



Maytag Commercial Maytag MLG19PDSAW Dryer Parts Parts Diagram 07 - CABINET-FRONT (WASHER)  
 Click on the part number to view part

Item	Original Part Number	Replaced By	Status	Part Description
001	33002187	<a href="#">33002963</a>		Support, Weld Assembly
002	22001883	<a href="#">214354</a>		Screw, Top Cover To Cabnt.
003	22002439	<a href="#">33002775</a>		Vent, Tub
"	33001855	<a href="#">33002917</a>		Screw, No.10-16
004	<a href="#">22002464</a>			Hose, Vent
005	<a href="#">33002189</a>			Bracket, Vent Mounting
"	<a href="#">33002190</a>			SCrew, C BraCe, BraCket, Cabinet
006	<a href="#">22002440</a>			Deflector, Vent
007	<a href="#">33002191</a>			Wire Shield
"	<a href="#">33002192</a>			Clip, Shield
008	205161	<a href="#">489503</a>		Clamp
"	<a href="#">33002193</a>			Hose, Shower
009	<a href="#">33002188</a>			Support, Pressure Switch
"	<a href="#">Y310376</a>			Clip, Door Switch Harness
010	22002048	<a href="#">22002921</a>		Switch- Pr
				Clip, Unbalance Switch

011	<a href="#">22002006</a>		Clip, Unbalance Switch Harness
"	<a href="#">22002244</a>		Clip, Grounding
012	<a href="#">33002194</a>		Nut, Speed
013	<a href="#">22002100</a>		Spring
014	22002179	<a href="#">8539404</a>	Tie-Wire
"	NLA	Not Available	CABINET ASSY. (WHT)
015	<a href="#">22002049</a>		Clip Note: Clip, Front Panel
016	22003638	<a href="#">22003652</a>	Shroud Support Assembly
"	33002010	<a href="#">33002473</a>	Bracket, Corner
"	33002095	<a href="#">33002474</a>	Bracket, Corner
017	<a href="#">22002297</a>		Support, Spring
018	315471	<a href="#">22003298</a>	Retainer, Wire
019	22001996	<a href="#">3370225</a>	Screw
"	<a href="#">22002178</a>		Bracket, Air Dome Hose
020	<a href="#">213007</a>		Xfor Cabinet See Cabinet, Back
"	22003409	<a href="#">213007</a>	Xfor Cabinet See Cabinet, Back
021	22002259	<a href="#">22002767</a>	Brace, Cross
022	<a href="#">33002190</a>		SCrew, C BraCe, BraCket, Cabinet
023	<a href="#">22002013</a>		Stop, Shipping
024	<a href="#">33002190</a>		SCrew, C BraCe, BraCket, Cabinet
025	<a href="#">22001995</a>		Screw Note: Screw, Tumbler Front And Shroud
026	<a href="#">22002001</a>		Support, Hinge
027	<a href="#">22002991</a>		Kit, Access Cover Hook
"	<a href="#">33002037</a>		Fastener, Access Cover Hook
028	22002034	<a href="#">22003224</a>	Bracket, Shroud
"	22002035	<a href="#">22002985</a>	Bracket, Shroud
029	<a href="#">22001993</a>		Bridge, Shroud Support
"	22003638	<a href="#">22003652</a>	Shroud Support Assembly
030	<a href="#">33002011</a>		Cover, Access
031	<a href="#">22001995</a>		Screw Note: Screw, Tumbler Front And Shroud
032	<a href="#">33002013</a>		Fastener Clip, Access Cover
033	<a href="#">22002006</a>		Clip, Unbalance Switch Harness
"	<a href="#">22003068</a>		Wire Harness, Main
"	<a href="#">22003819</a>		Wire Harness, Lower Commercial
"	<a href="#">22003820</a>		Wire Harness / Hh / Unbalance
"	<a href="#">22004096</a>		Wire Harness - PD Export
"	<a href="#">33001989</a>		Retainer, Vault Switch

*the laundry company*<sup>®</sup>